

STEREO INTEGRATED AMPLIFIER

AVX-100/U

SERVICE MANUAL

IMPORTANT NOTICE

This manual has been provided for the use of authorized Yamaha Retailers and their service personnel. It has been assumed that basic service procedures inherent to the industry, and more specifically Yamaha Products, are already known and understood by the users, and have therefore not been restated.

WARNING: Failure to follow appropriate service and safety procedures when servicing this product may result in personal injury, destruction of expensive components and failure of the product to perform as specified. For these reasons, we advise all Yamaha product owners that all service required should be performed by an authorized Yamaha Retailer or the appointed service representative.


IMPORTANT: The presentation or sale of this manual to any individual or firm does not constitute authorization, certification, recognition of any applicable technical capabilities, or establish a principle-agent relationship of any form.

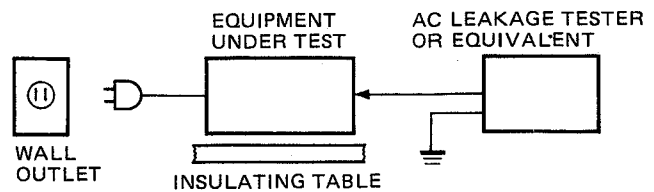
The data provided is believed to be accurate and applicable to the unit(s) indicated on the cover. The research, engineering, and service departments of Yamaha are continually striving to improve Yamaha products. Modifications are, therefore, inevitable and specifications are subject to change without notice or obligation to retrofit. Should any discrepancy appear to exist, please contact the distributor's Service Division.

WARNING: Static discharges can destroy expensive components. Discharge any static electricity your body may have accumulated by grounding yourself to the ground buss in the unit (heavy gauge black wires connect to this buss).

IMPORTANT: Turn the unit OFF during disassembly and parts replacement. Recheck all work before you apply power to the unit.

■ TO SERVICE PERSONNEL

- Critical Components Information.**
Components having special characteristics are marked  and must be replaced with parts having specifications equal to those originally installed.
- Leakage Current Measurement (For 120V Model Only).**
When service has been completed, it is imperative that you verify that all exposed conductive surfaces are properly insulated from supply circuits.
 - Meter impedance should be equivalent to 1500 ohm shunted by 0.15μF.
 - Leakage current must not exceed 0.5mA.
 - Be sure to test for leakage with the AC plug in both polarities.



- POLARIZATION (U model only)**
This amplifier product is equipped with a polarized alternating-current line plug (a plug having one blade wider than the other). This plug will fit into the power outlet only one way. This is a safety feature.

■ CONTENTS

FRONT PANELS	1	IC BLOCK	7 ~ 14
REAR PANELS	1/2	BLOCK DIAGRAM	15
SPECIFICATIONS	3/4	PRINT CIRCUIT BOARD	16 ~ 23
DIMENSIONS	4	SCHEMATIC DIAGRAM	24 ~ 27
INTERNAL VIEW	5	WIRING	28/29
DISASSEMBLY PROCEDURES	5	PARTS LIST	30 ~ 45
ADJUSTMENT	6		

100188

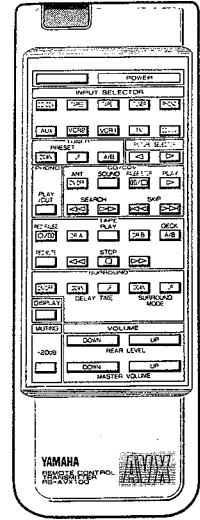
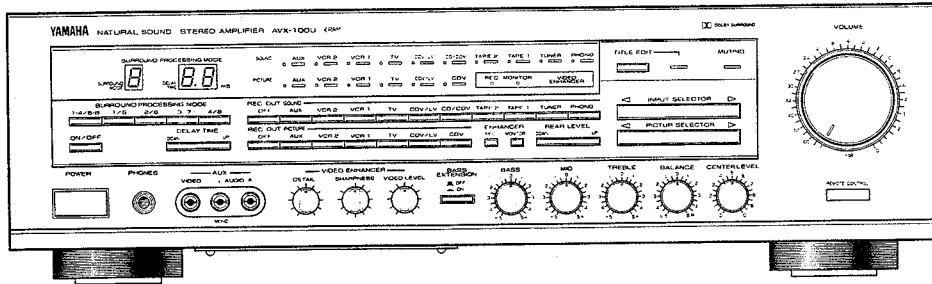
YAMAHA

YAMAHA CORPORATION HAMAMATSU, JAPAN
3.7K-662 © K Printed in Japan '88.8.

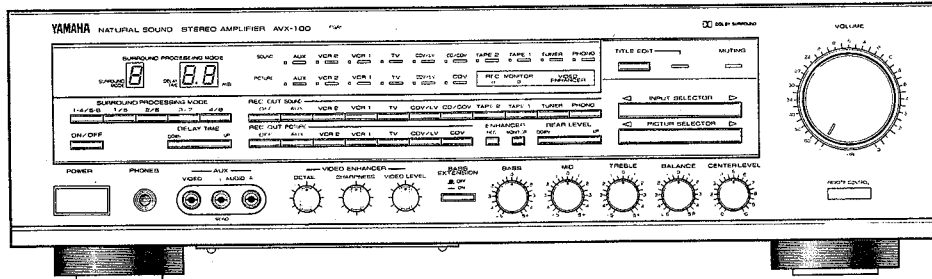
AVX-100/U

FRONT PANELS

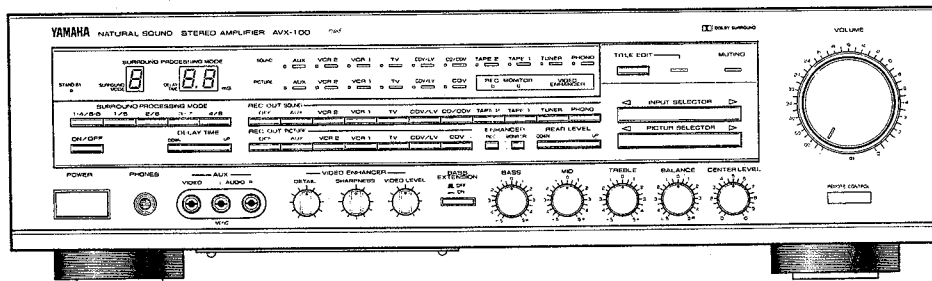
- U, C models



- R, A, B models

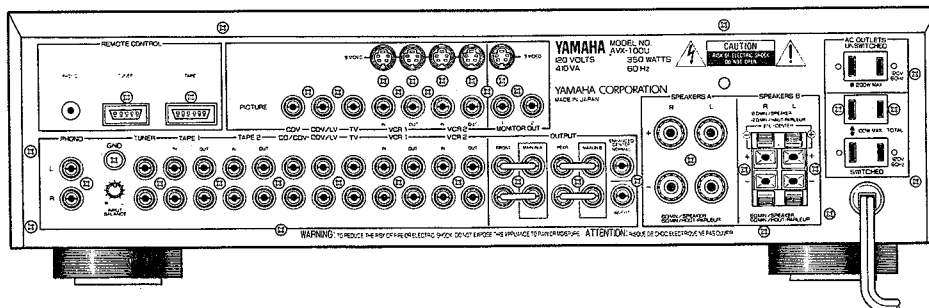


- G model



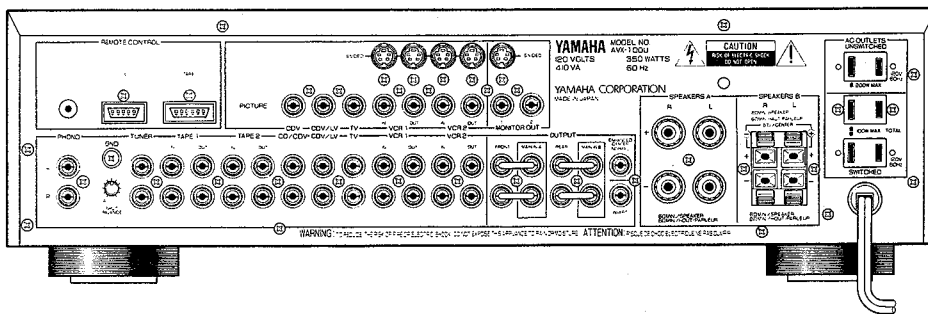
REAR PANELS

- U model

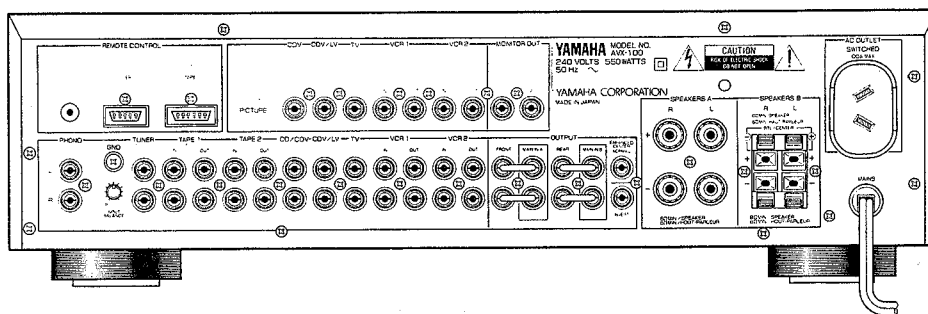


AVX-100/U

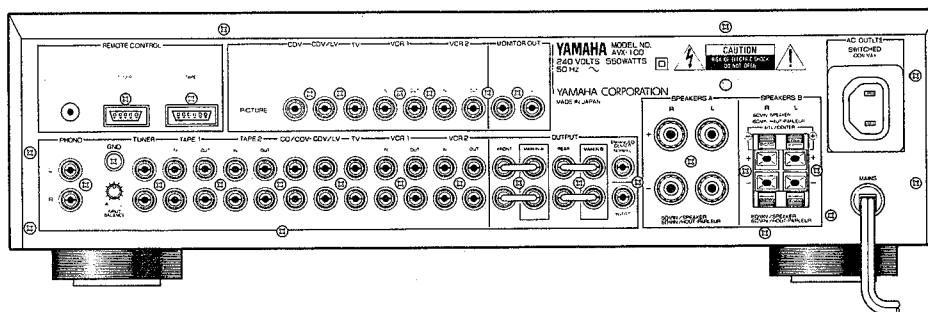
• C models



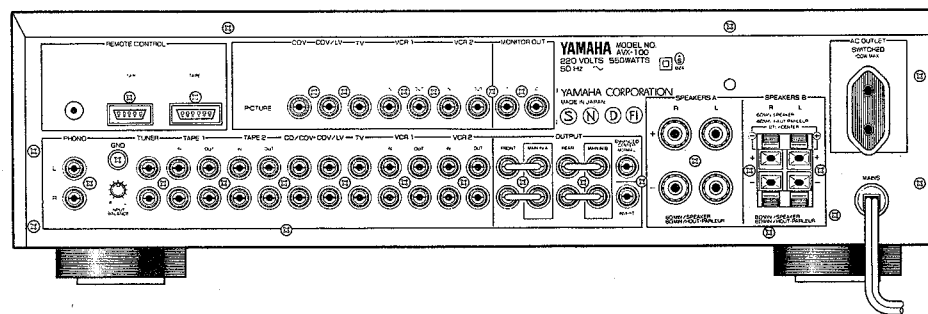
• A model



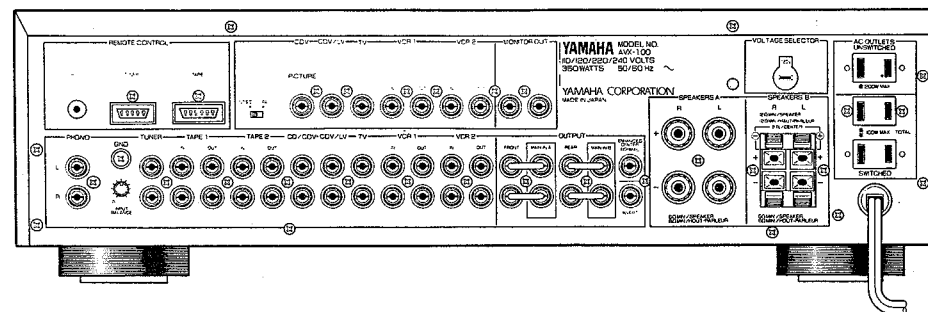
• B model



• G model



• R model



AVX-100/U

■ SPECIFICATIONS

AUDIO SECTION

Minimum RMS Output Power per Channel

MAIN IN A	
8 ohms, 20 Hz to 20 kHz, 0.01% THD	65 W (U, C, R)
	60 W (A, B, G)
6 ohms, 20 Hz to 20 kHz, 0.01% THD	70 W
8 ohms, 1 kHz, 0.01% THD	70 W
MAIN IN B	
8 ohms, 1 kHz, 0.01% THD	14 W (U, C, R)
	15 W (A, B, G)
6 ohms, 1 kHz, 0.01% THD	15 W

Dynamic Power per Channel (by IHF)

MAIN IN A	
8 ohms	85 W
6 ohms	105 W
MAIN IN B	
8 ohms	18 W
6 ohms	20 W

DIN Shorted Output Power Per Channel

MAIN IN A	
4 ohms, 1 kHz	80 W (G)
MAIN IN B	
4 ohms, 1 kHz	18 W (G)

Dynamic Headroom

MAIN IN A	
8 ohms	1.2 dB
6 ohms	1.8 dB
MAIN IN B	
8 ohms	1.1 dB
6 ohms	1.2 dB

IEC Power

MAIN IN A	
6 ohms, 1 kHz	70 W (G)
MAIN IN B	
6 ohms, 1 kHz	18 W (G)

Damping Factor (1 kHz, 8 ohms)

MAIN IN A	More than 90
MAIN IN B	More than 40

Input Sensitivity/Impedance

PHONO MM	2.5 mV/47 k-ohms
CD etc.	150 mV/47 k-ohms
MAIN IN A	1 V/33 k-ohms
MAIN IN B	340 mV/33 k-ohms

Input Sensitivity (New IHF)

PHONO MM	0.353 mV
CD etc.	21.2 mV

Maximum Input Level

PHONO MM, 1 kHz	100 mV
-----------------	--------

Output Level/Impedance

REC OUT	150 mV/100 ohms
PRE OUT	1 V/1 k-ohms

Maximum Voltage Output

20 Hz to 20 kHz, 0.001% THD	5 V
-----------------------------	-----

Headphone Jack Rated Output/Impedance

0.1% THD, 1 kHz, RL = 100 ohms	2.2 V/100 ohms
--------------------------------	----------------

Frequency Response

40 Hz to 20 kHz, CD etc.	0 ± 1 dB
20 Hz to 20 kHz, MAIN IN	0 ± 1 dB

RIAA Equalization Deviation

PHONO MM	± 0.5 dB
----------	----------

Total Harmonic Distortion

(20 Hz to 20 kHz)	
PHONO MM, 1 V	Less than 0.005%
CD etc. to Pre Out, 3 V	Less than 0.005%
MAIN IN A to SP Out, 35 W/8 ohms	Less than 0.005%
(20 Hz to 10 kHz)	
MAIN IN B to SP Out, 7W/8 ohms	Less than 0.01%

Signal to Noise Ratio (IHF-A Network)

PHONO MM (5 mV Input Shorted)	More than 86 dB
CD etc.	More than 96 dB
MAIN IN A (Shorted)	More than 120 dB
MAIN IN B (Shorted)	More than 106 dB

Signal to Noise Ratio (New IHF)

PHONO MM	75 dB
CD etc.	77 dB

Residual Noise (IHF-A Network)

	200 µV
--	--------

Channel Separation (Vol. -30 dB, 1 kHz/10 kHz)

PHONO MM (Input Shorted)	65 dB/50 dB
CD etc. (Input 5.1 k-ohms Terminated)	65 dB/50 dB

AVX-100/U

Tone Control Characteristics

- BASS boost/cut ±10 dB (50 Hz)
- turnover frequency 350 Hz
- TREBLE boost/cut ±10 dB (20 kHz)
- turnover frequency 3.5 kHz
- MID boost/cut ±10 dB (1 kHz)
- center frequency 1 kHz

Filter Characteristics

- Subsonic 20 Hz 12 dB/oct

Audio Muting -20 dB

Gain Tracking Error (0 ~ -60 dB) 3 dB

BASS Extension (70 Hz) +7 dB

VIDEO SECTION

- Video Signal Type (Lines/Field)** NTSC 525/60 (U, C)
- NTSC 525/60 and PAL 625/50 (R)
- PAL 625/50 (A, G, B)

Video Signal

- Input 1 Vp-p 75 ohms, Unbalanced
- Output 1 Vp-p 75 ohms, Unbalanced
- Maximum Input 1.5 Vp-p 75 ohms

Video Signal to Noise Ratio 50 dB

Detail Control Level -6 dB ~ +3 dB (1 MHz)

Sharpness Control Level 0 dB ~ +10 dB (2 MHz)

Video Level Control -3 dB ~ +3 dB

S-Video

- Input-Y (Unbalanced) 1 Vp-p 75 ohms (U, C)
- Input-C (Unbalanced) 0.3 Vp-p 75 ohms (U, C)
- Output-Y (Unbalanced) 1 Vp-p 75 ohms (U, C)
- Output-C (Unbalanced) 0.3 Vp-p 75 ohms (U, C)

GENERAL

- Power Supply** AC120 V 60 Hz (U, C)
- AC110/120/220/240 V 50/60 Hz (R)
- AC220 V 50 Hz (G)
- AC240 V 50 Hz (A, B)
- Power Consumption** 350 W (U)
- 410 VA/350 W (C)
- 350 W (R)
- 550 W (A, B, G)

AC Outlet

- Switched 100 W Max.
- Unswitched 200 W Max. (U, C, R)

Dimensions (W x H x D)

- 435 x 126 x 340 (380 max.) mm
- (17-1/8 x 4-15/16 x 13-3/8 (14-15/16 max.) inch)

Weight 9.6 kg
(21 lbs. 2 oz.)

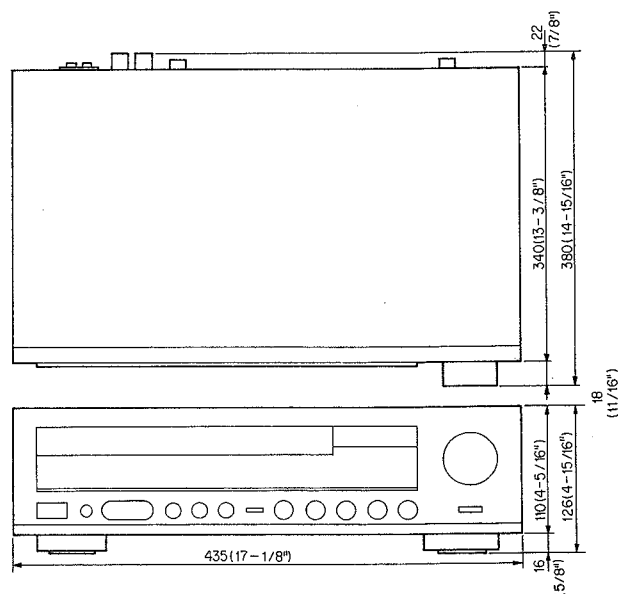
* Specifications subject to change without notice.

- (U) U.S.A. Model (B) British Model
- (C) Canadian Model (G) European Model
- (A) Australian Model (R) Others Model



Manufactured under license from Dolby Laboratories Licensing Corporation. Additionally licensed under one or more of the following patents: U.S. numbers 3,632,886, 3,746,792, and 3,959,590; Canada numbers 1,004,603 and 1,037,877. "Dolby" and the double-D symbol are trademarks of Dolby Laboratories Licensing Corporation.

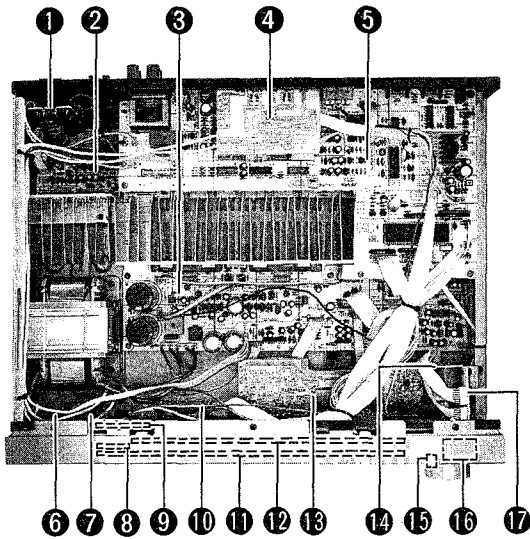
■ DIMENSIONS



Unit: mm (inch)

AVX-100/U

INTERNAL VIEW



- ① MICROCOMPUTER CIRCUIT BOARD (12): U, C, R models
MICROCOMPUTER CIRCUIT BOARD (13): G model
MICROCOMPUTER CIRCUIT BOARD (14): A, B models
- ② SUB-AMPLIFIER SHEET
- ③ MAIN CIRCUIT BOARD (1)
- ④ S-TERMINAL CIRCUIT BOARD: U, C models
- ⑤ MICROCOMPUTER CIRCUIT BOARD (1)
- ⑥ MICROCOMPUTER CIRCUIT BOARD (11)
- ⑦ MAIN CIRCUIT BOARD (3)
- ⑧ MICROCOMPUTER CIRCUIT BOARD (4)
- ⑨ MICROCOMPUTER CIRCUIT BOARD (10)
- ⑩ MICROCOMPUTER CIRCUIT BOARD (9)
- ⑪ MICROCOMPUTER CIRCUIT BOARD (2)
- ⑫ MICROCOMPUTER CIRCUIT BOARD (3)
- ⑬ MAIN CIRCUIT BOARD (2)
- ⑭ MICROCOMPUTER CIRCUIT BOARD (6)
- ⑮ MICROCOMPUTER CIRCUIT BOARD (7)
- ⑯ MICROCOMPUTER CIRCUIT BOARD (8)
- ⑰ MICROCOMPUTER CIRCUIT BOARD (5)

DISASSEMBLY PROCEDURES (Remove parts in disassembly order as numbered)

1. How to remove Top Cover:

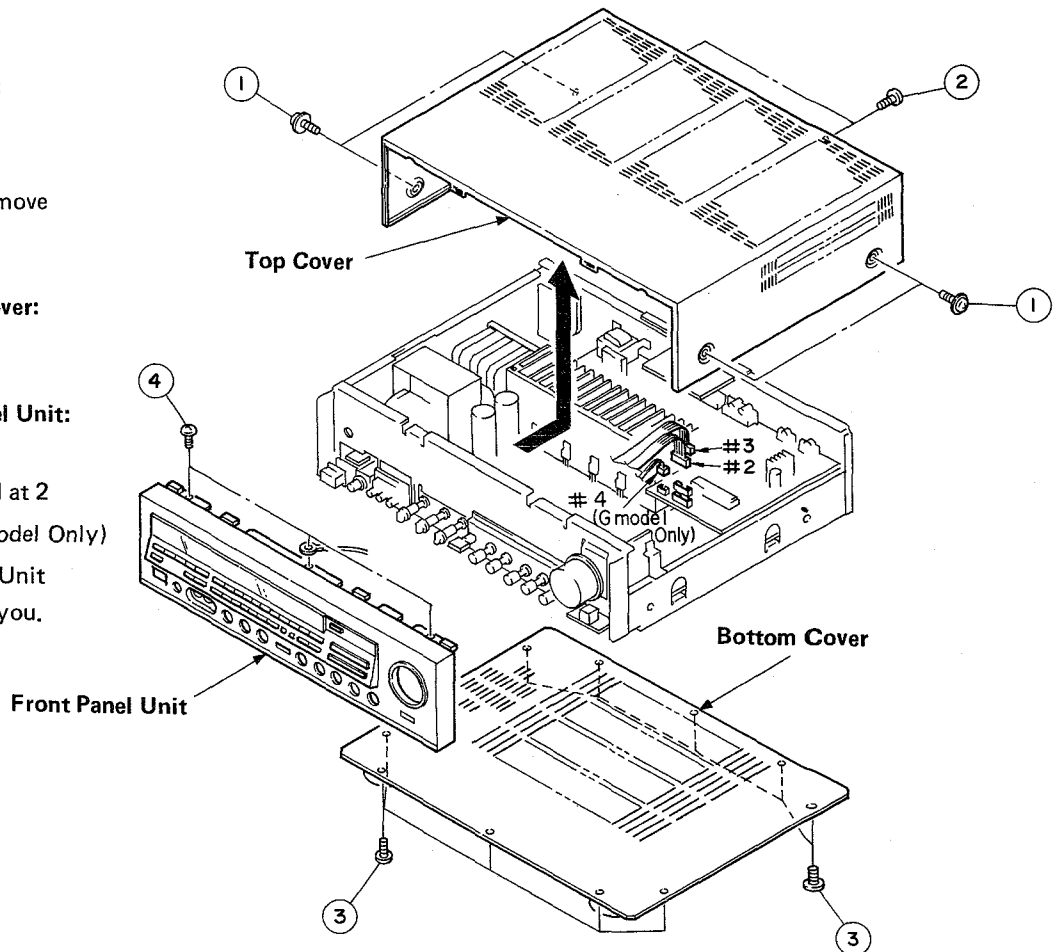
- a. Remove 4 screws of ①.
- b. Remove 2 screws of ②.
- c. Slide it back a little and remove trying to lift it up.

2. How to remove Bottom Cover:

- a. Remove 10 screws of ③.

3. How to remove Front Panel Unit:

- a. Remove 3 screws of ④.
- b. Remove Connector located at 2 places (#2, #3), #4 (G model Only)
- c. Remove the Front Panel Unit trying to pull it toward you.



AVX-100/U

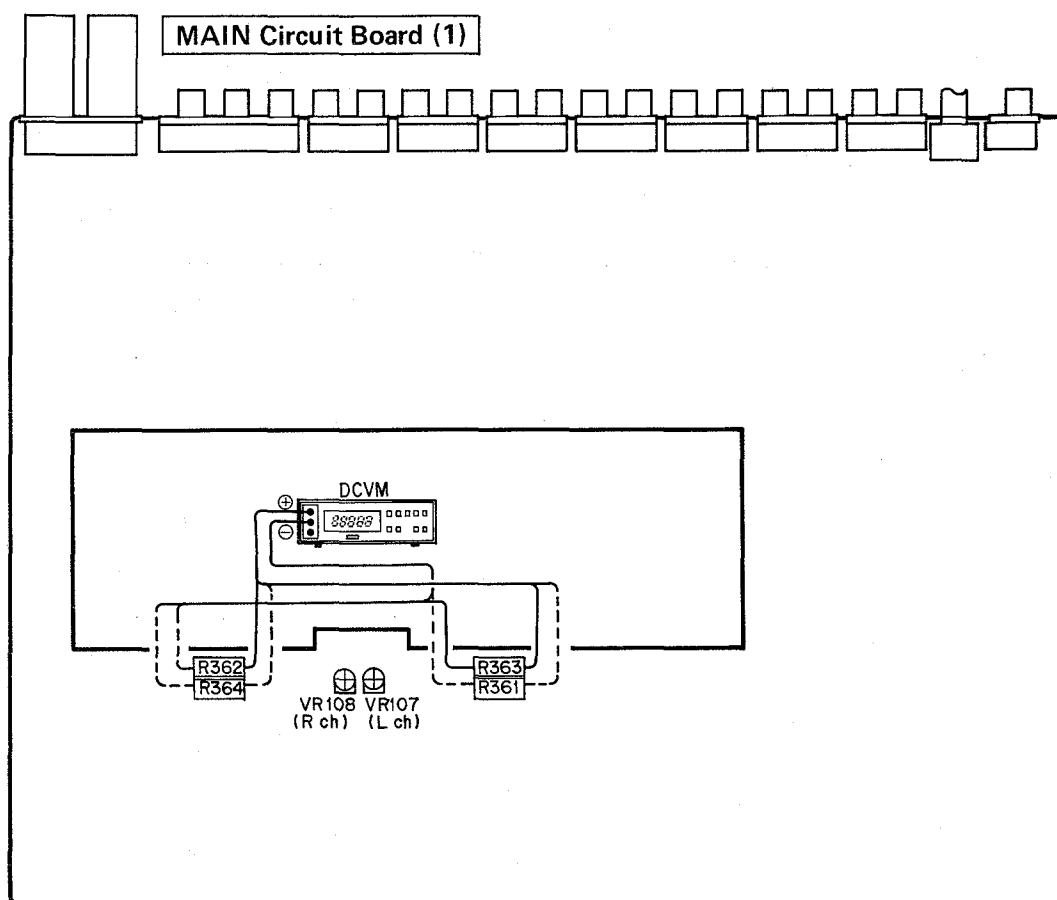
ADJUSTMENTS

■ Before the adjustment is done;

- In order to stabilize work of amplifier, conduct aging for 3 minutes with Power ON under unloading status (no connection is done on the Speaker Terminal).

Adjustment	Place to be measured	Adjusting Place	Specification
Idling Elec. current of Main Amplifier	Both end (Lch) of R361 or R363	VR107 (Lch)	DC1mV ~ 2mV
	Both end (Rch) of R362 or R364	VR108 (Rch)	DC1mV ~ 2mV

● Test Point



Remarks:

- With reference to Initialization of Micro-computer;

< Method > Put Power Switch to ON pushing all three Surround Mode Switches located from the left (◀◀ SEARCH ▶▶, PLAY) at the same time. And if you will let your hand off from the switches, the initialization will finish.

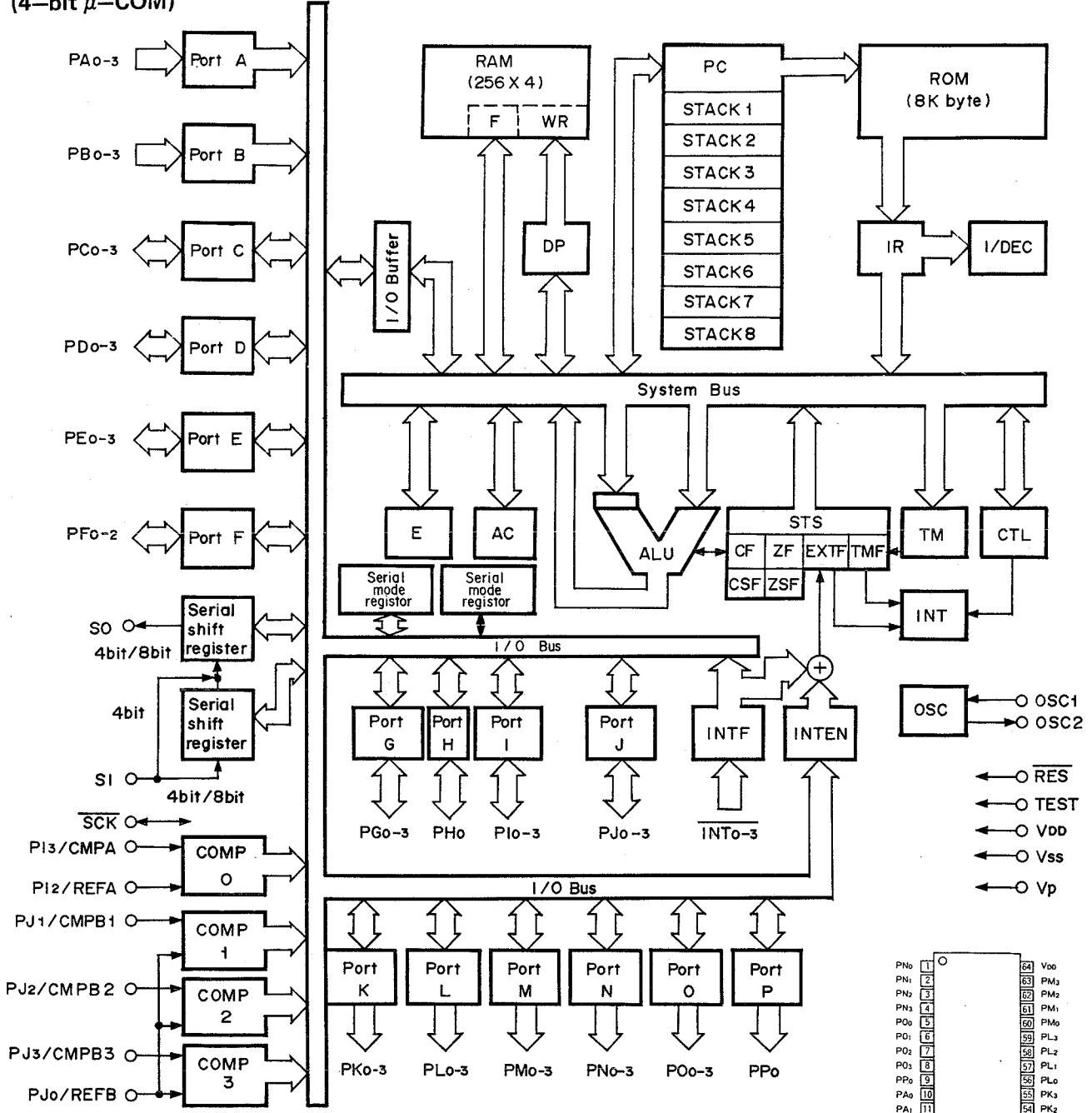
< Content > INPUT: CD/CDV, REC OUT: CD/CDV, SURROUND MODE 4 (DOLBY)/ON, DELAY TIME: with all modes of 1 through to 8, it is 20 msec.

REAR LEVEL: -12 dB, ENHANCER: OFF, TITLE EDIT: Content will clear, and it will be MUTING: OFF.

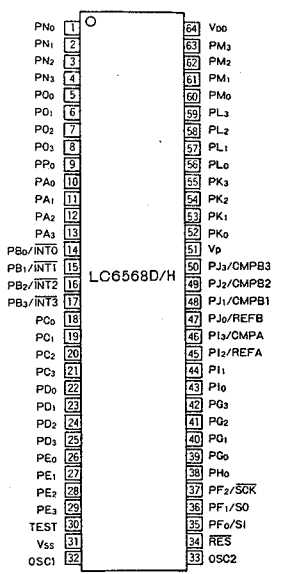
■ IC BLOCK

IC411: LC6568H-3734

(4-bit μ-COM)



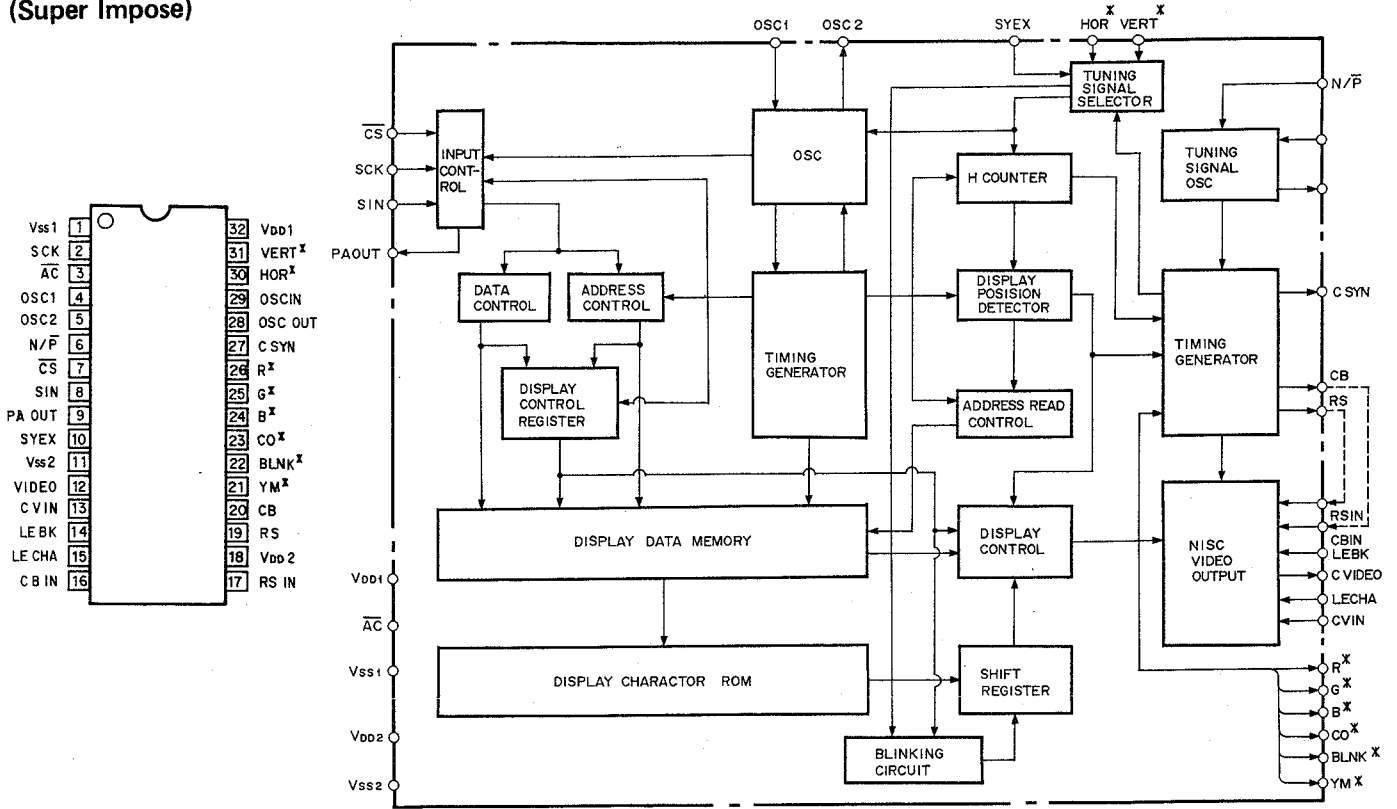
- | | | | |
|-----|-----------------------------|---------|-------------------------------|
| RAM | : Data memory | ROM | : Program memory |
| F | : Flag | PC | : Program counter |
| WR | : Working register | INT | : Interrupt control |
| AC | : Accumulator | IR | : Instruction register |
| ALU | : Arithmetic and logic unit | I,DEC | : Instruction decoder |
| DP | : Data pointer | CF, CSF | : Carry flag, carry save flag |
| E | : E register | ZF, ZSF | : Zero flag, zero save flag |
| CTL | : Control register | EXTF | : External interrupt request |
| OSC | : Oscillator | TMF | : Internal interrupt request |
| TM | : Timer | INTF | : Interrupt request flag |
| STS | : Status register | INTEN | : Interrupt enable flag |



AVX-100/U

PIN NO.	PIN NAME	P-UP P-DOWN	FUNCTION	PIN NO.	PIN NAME	P-UP P-DOWN	FUNCTION	
1	a	IN P-DOWN	SEGMENT a	64	V _{DD}		+5V	
2	b	IN P-DOWN	SEGMENT b	63	PWR.	OUT P-DOWN	POWER RELAY	
3	c	IN P-DOWN	SEGMENT c	62	M2	IN P-DOWN	DIGIT M2	
4	d	IN P-DOWN	SEGMENT d	61	M1	IN P-DOWN	DIGIT M1	
5	e	IN P-DOWN	SEGMENT e	60	M0	IN P-DOWN	DIGIT M0	
6	f	IN P-DOWN	SEGMENT f	59	$\overline{SP\bar{I}}$	OUT P-DOWN	$\overline{\text{CHIP SELECT SUPERIMPOSE}}$	
7	g	IN P-DOWN	SEGMENT g	58	CV	OUT P-DOWN	CHIP SELECT REAR VOLUME	
8	h	IN P-DOWN	SEGMENT h	57	A0	OUT P-DOWN	CHIP SELECT DIGITAL DELAY	
9	PHO	IN P-DOWN	RS-PLAYER	56	\overline{MUT}	OUT P-DOWN	$\overline{MUTE} (-\infty)$	
10	K0		KEY INPUT	55	RS3	IN P-DOWN	RS-TUNER 1/RS-DECK 3	
11	K1			54	RS2	IN P-DOWN	RS-TUNER 0/RS-DECK 2	
12	K2			53	RS1	IN P-DOWN	VOL DOWN/RS-DECK 1	
13	K3			52	RS0	IN P-DOWN	VOL UP/RS-DECK 0 (0) : SEL (1)	
14	K4			51	G		GND	
15	PSW		POWER SW INPUT	50	D	OUT P-UP	VIDEO CONTROL D	
16	REM		REMOTE CONTROL INPUT	49	PR2	OUT P-UP	PICTURE	
17	G		GND	48	PR1	OUT U-UP		
18	SRO	OUT P-UP	SOUND	47	PR0	OUT P-UP	REC. OUT SELECTOR	
19	SR1	OUT P-UP		46	C	OUT P-UP	VIDEO CONTROL C	
20	SR2	OUT P-UP	REC. OUT SELECTOR	45	PI2	OUT P-UP	PICTURE	
21	SR3	OUT P-UP		44	PI1	OUT P-UP		
22	SI0	OUT P-UP	SOUND	43	PI0	OUT P-UP	INPUT SELECTOR	
23	SI1	OUT P-UP		42	A	OUT P-UP	VIDEO CONTROL A	
24	SI2	OUT P-UP		INPUT SELECTOR	41	\overline{AMT}	OUT P-UP	$\overline{\text{AUDIO MUTE}} (-20\text{dB})$
25	SI3	OUT P-UP			40	DET	OUT P-UP	POWER (ON:H) DETECT (INPUT)
26	SU0	OUT P-UP	SURROUND MODE	39	SU4	OUT P-UP	SURROUND MODE SU4	
27	SU1	OUT P-UP		38	PAL	OUT P-UP	PAL/ \overline{NTSC} (INPUT)	
28	SU2	OUT P-UP		37	\overline{SCK}	OUT P-UP	$\overline{\text{SERIAL CLOCK}}$	
29	SU3	OUT P-UP		36	SO	OUT P-UP	SERIAL OUT	
30	G		GND	35	SEL	IN P-UP	RS-SELECTOR (H:DECK)	
31	G		GND	34	\overline{RES}		$\overline{\text{RESET}}$	
32	XI		OSC INPUT	33	XO		OSC OUTPUT	

IC407: M50455-060SP
(Super Impose)

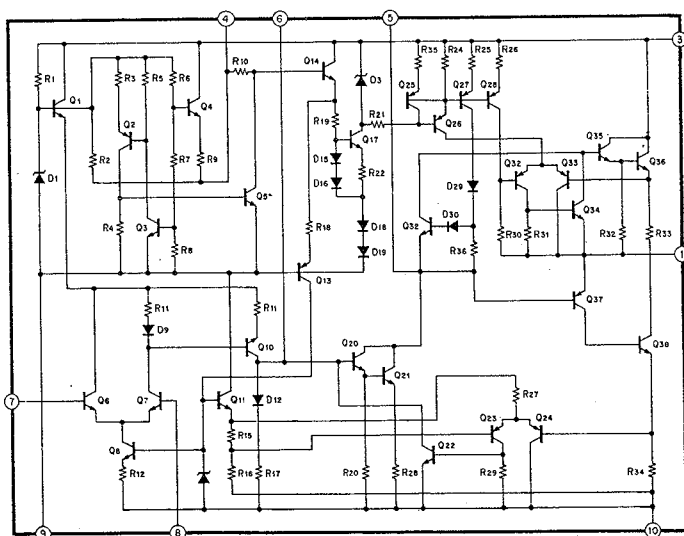


Pin No.	Symbol	Pin Description	Function
1	Vss1	EARTH TERMINAL	Connect with GND by Digital system Earth Terminal.
2	SCX	SERIAL CLOCK INPUT	When it is SC Terminal "L", Serial Data of SIN is taken in with the start-up of SCK. Hysteresis Input.
3	AC	AUTOMATIC CLEAR INPUT	Reset IC Internal Circuit with "L" status. Pull-up Resistance has been contained. Hysteresis Input.
4	OSC1	OSCILLATION CIRCUIT EXTERNAL TERMINAL	External Terminal for Oscillation Circuit for indication use. The standard Oscillation Frequency is about 7MHz.
5	OSC2		Display Position toward horizontal direction of TV Picture and Letter Width are determined by the Oscillation Frequency.
6	N/P	NISC/PAL Switching Input	It is NTSC or PAL system Synchronized Signal Generation Switching Terminal.
7	CS	CHIP SELECTION INPUT	Chip Selection Terminal. When Serial Data Transfer is conducted, the Chip Selection Terminal shall be "L" status.
8	SIN	SERIAL DATA INPUT	Data and Address of Memory for use in the Display Register and Display Data are input by Serial.
9	PAOUT	PARITY OUTPUT	It is Odd Number Parity Output, and it will detect 1 bit mistake in a word of SIN.
10	SYEX	SYNCHRONIZED SIGNAL CHANGEOVER INPUT	Externally synchronized or Internally synchronized signal Switching Terminal. Under "H" status, it becomes Externally synchronized signal mode, and with "L" status, it becomes Internally synchronized signal mode. SYEX composes "or" of priority of Internal Synchronization and EX Register of Address 243 in the Display Control Register. Pull-Up Resistance is contained.
11	Vss1	EARTH TERMINAL	Connect with GND by Analog Earth Terminal.
12	VIDEO	COMPOSITE VIDEO OUTPUT	It is Composite Video Signal Output Terminal. Composite Video Signal of 2Vp-p is output. When it is Super Impose, it will output increasing the volume of Letter Output to CVIN Signal.
13	CVIN	COMPOSITE VIDEO INPUT	It is Composite Video Signal Input Terminal. When it is Super Impose, Letter Output etc. will be increases for the composite video signal.
14	LEBK	BLANKING LEVEL	It is Input Terminal to determine Blanking Level of Video Signal.
15	LECHA	CHARACTER LEVEL INPUT	It is Input Terminal to determine the Letter Output Level in the Video Signal. Color of letter is White.
16	CBIN	COLOR BURST INPUT	It will input transforming CB Output to Color Burst Level by External Circuit.

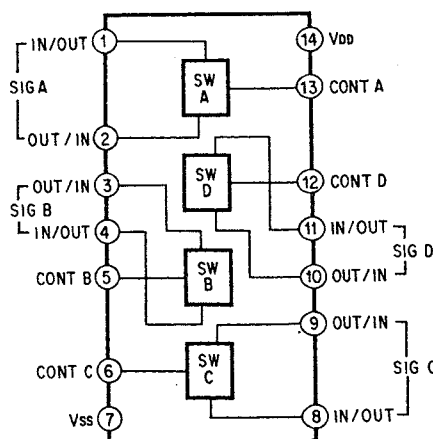
AVX-100/U

Pin No.	Symbol	Pin Description	Function
17	RSIN	LETTERING BACK-GROUND CARRIER COLOR SIGNAL INPUT	Input is done transforming RS Output to Carrier Color Signal Level of Video Signal by External Circuit.
18	VDD2	POWER SOURCE TERMINAL	Connect with +5V by Analog system Power Source Terminal.
19	RS	LETTERING BACK-GROUND CARRIER COLOR SIGNAL OUTPUT	It is Carrier Color Signal Output for the coloring of Lettering Background. It will output signal having phase angle for the color burst signal CB. Amplitude: 5V.
20	CB	COLOR BURST OUTPUT	When it is NTSC System, it will output Color Burst of 3.58MHz and 4.43MHz when it is PAL system. Amplitude: 5V.
21	YM*	BRIGHTNESS SIGNAL OUTPUT	It is Brightness Signal Output. Polarity Selection can be done when Lettering Type ROM is determined.
22	BLNK*	LETTERING BACK-GROUND OUTPUT	It will output Lettering Background Signal. Polarity Selection can be done when Lettering Type ROM is decided.
23	CO*	LETTERING TYPE OUTPUT	Lettering Type Signal is output. Polarity Selection can be done when Lettering Type is determined.
24	B*	BLUE OUTPUT	It is Blue Output Terminal. Polarity Selection can be done when Lettering Type ROM is determined.
25	G*	GREEN OUTPUT	It is Green Output Terminal. Polarity Selection can be done when Lettering Type ROM is determined.
26	R*	RED OUTPUT	It is Red Output Terminal. Polarity Selection can be done when Lettering Type ROM is determined.
27	CSYN	COMPOSITE BURST OUTPUT	NTSC or PAL system composite burst is output. Polarity is negative polarity, and Amplitude is 5V.
28	OSCOUT	OSCILLATION CIRCUIT FOR BURST GENERATION	It is External Terminal of Oscillation Circuit for the generation of burst. When it is NTSC system, it is 14.32MHz.
29	OSCIN		When it is PAL system, Oscillation Frequency of 17.73MHz is used.
30	HOR*	HORIZONTAL BURST	Horizontal Burst is output. Hysteresis Input. Polarity Selection can be done when Lettering Type ROM is determined.
31	VERT*	VERTICAL BURST	Vertical Burst is input. Hysteresis Input. Polarity Selection can be done when Lettering Type ROM is determined.
32	VDD2	POWER SOURCE TERMINAL	Connect with +5V by Digital Power Source Terminal

IC3, 4: μ PC1188H
(Power IC)

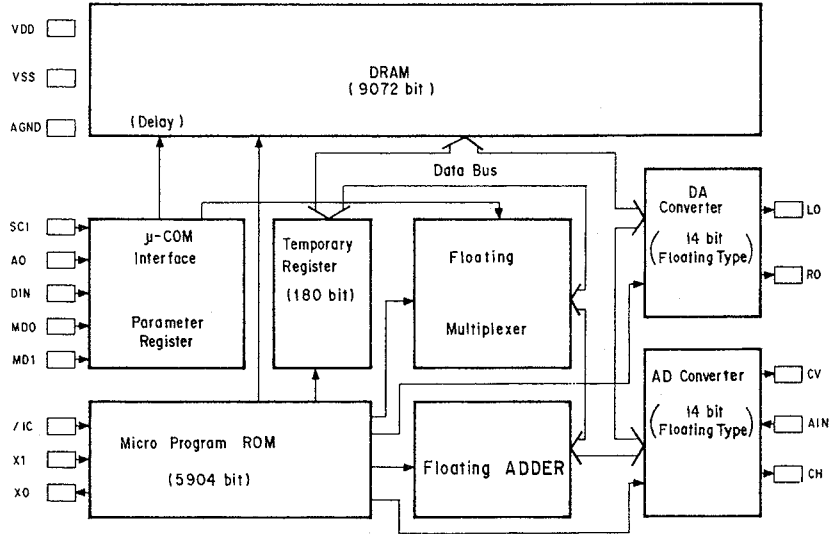
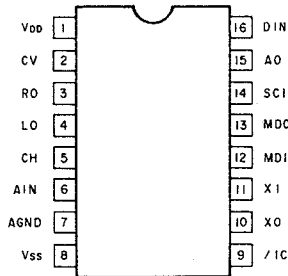


IC107, 108: μ PD4066BC or LC4066
IC410: TC4066BP or μ PD4066BC
or LC4066 or MN4066B (Analog Switch)



AVX-100/U

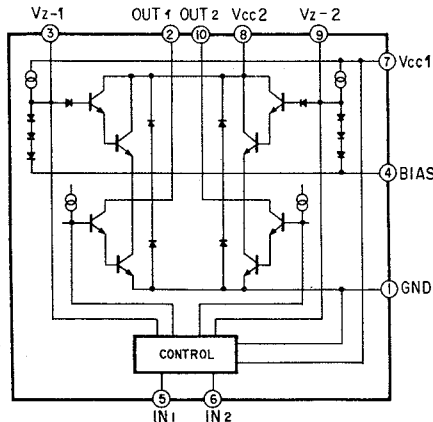
IC116: YM3428
(Digital Delay Circuit)



Pin No.	Name	I/O	Function
1	VDD	—	+5V Power Supply Terminal
2	CV	0	Reference Voltage (+2.5V) Output Terminal for A/D Conversion use
3	RO	0	D/A Conversion Analog Signal Output Terminal for R-ch use
4	LO	0	D/A Conversion Analog Signal Output Terminal for L-ch use
5	CH	0	Condensor Externally Attached Terminal for sample holding use
6	A IN	I	Analog Signal Input Terminal
7	A GND	—	Common earthing shall be done at the outside with Ground VSS Terminal for use in Input A/D Conversion and Output D/A Conversion.
8	VSS	—	Digital System Ground
9	/IC	*I	Reset Terminal
10	X0	0	Crystal Vibrator Connection Terminal
11	X1	I	Crystal Vibrator Connection Terminal (System Clock Input Terminal)
12	MD1	*I	Mode Setting Terminal
13	MD0	*I	Mode Setting Terminal
14	SCI	I	Data Shift Clock Input Terminal for Micro Computer use
15	AO	I	Address/Data Identifying Signal Input Terminal or Address/Data Discrimination Signal Input Terminal
16	DIN	I	Data Input Terminal for use in Micro Computer

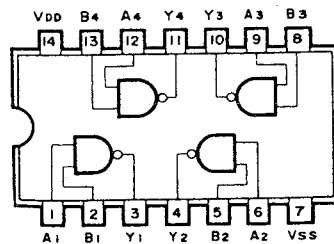
NOTE: Terminal marked with * means that Pull-up Resistance has been built-in.

IC403: BA6229
(Motor Turning IC)

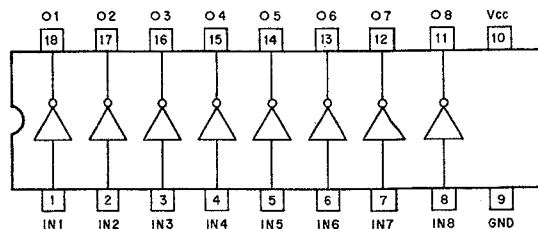


INPUT		OUTPUT		MODE
IN1 (5 pin)	IN2 (6 pin)	OUT1 (2 pin)	OUT2 (10 pin)	
L	L	OPEN	OPEN	STOP
H	L	H	L	FWD
L	H	L	H	RVS
H	H	L	L	BRAKE

IC109: TC4011BP or BU4011B or MN4011B
(Quad 2-Input Positive NAND Gates)

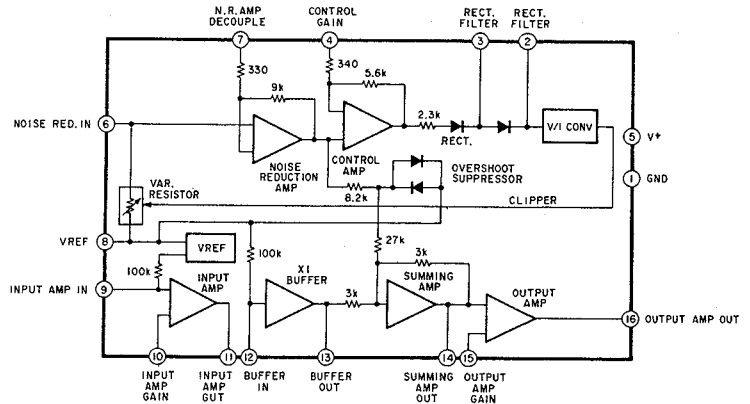
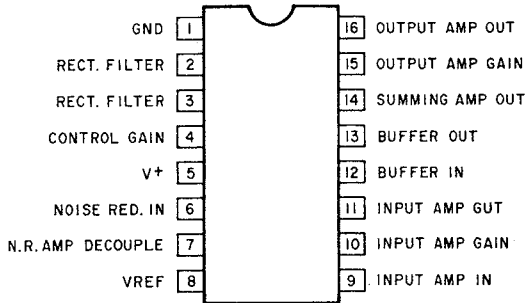


IC415: M54584P
(Transistor Array)

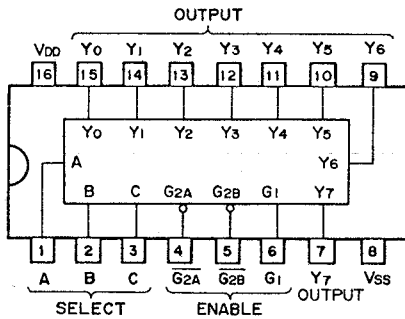


AVX-100/U

IC121: LA2730
(Dolby Encoder/Decoder)



IC141: TC74HC238P or μ PD74HC238C
(Decoder/Demultiplexer)



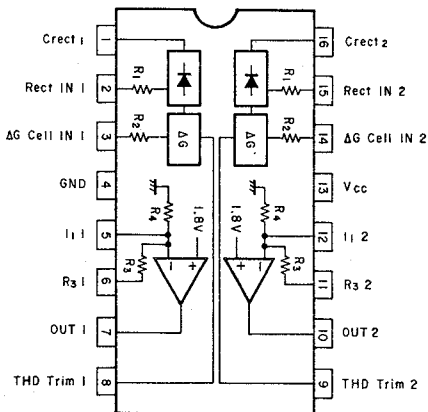
Truth Table

INPUT		OUTPUT										
ENABLE	SELECT											
G ₁	G ₂ *	C	B	A	Y ₀	Y ₁	Y ₂	Y ₃	Y ₄	Y ₅	Y ₆	Y ₇
X	H	X	X	X	L	L	L	L	L	L	L	L
L	X	X	X	X	L	L	L	L	L	L	L	L
H	L	L	L	L	H	L	L	L	L	L	L	L
H	L	L	L	H	L	H	L	L	L	L	L	L
H	L	L	H	L	L	L	H	L	L	L	L	L
H	L	L	H	H	L	L	L	H	L	L	L	L
H	L	H	L	L	L	L	L	L	H	L	L	L
H	L	H	H	L	L	L	L	L	L	H	L	L
H	L	H	H	H	L	L	L	L	L	L	H	L
H	L	H	H	H	L	L	L	L	L	L	L	H

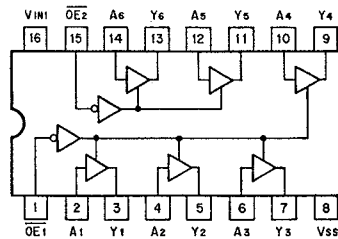
$G_2^* = G_{2A} \times G_{2B}$

H: HIGH LEVEL L: LOW LEVEL X: H or L

IC115, 120, 130: μ PC1571
(Compressor)



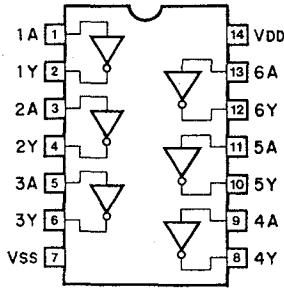
IC401, 402: TC74HC367P or μ PD74HC367C
or M74HC367



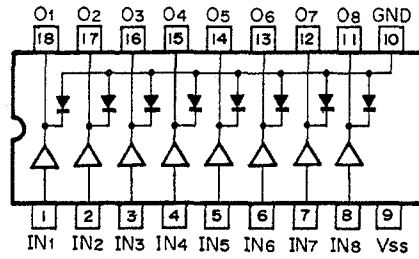
INPUT		OUTPUT
OUTPUT ENABLE	A	Y
L	L	L
L	H	H
H	X	Z

H: HIGH LEVEL
L: LOW LEVEL
X: H or L
Z: HIGH IMPEDANCE

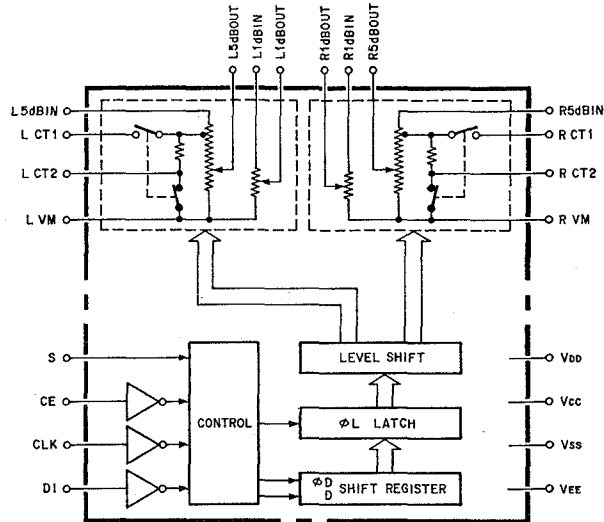
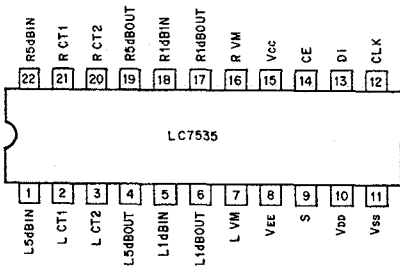
IC406:
TC74HC04P or μ PD74HC04P
or M74HC04P or MN74HC04
(Hex Inverters)



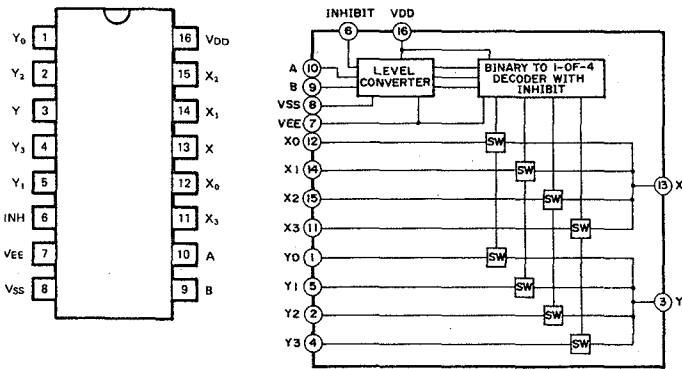
IC416: M54562
(Transistor Array with Clamp Diode)



IC126: LC7535
(Serial Control Electrolytic Volume)



IC101 ~ 106, 110, 122, 123: μ PD4052BC
IC409, 601: TC4052BP or μ PD4052BC
(Differential 4-ch Multiplexer/Demultiplexer)

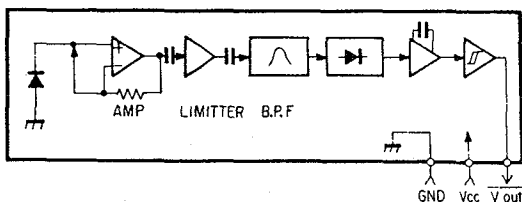


Truth Table

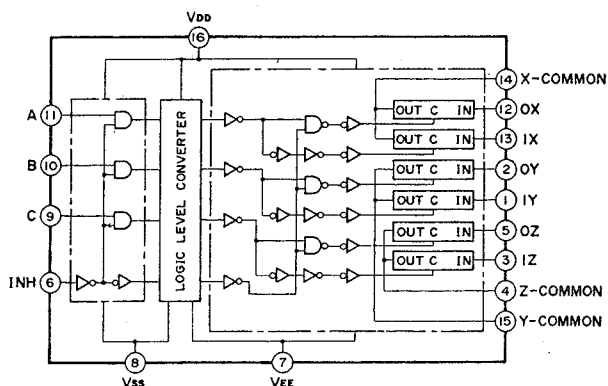
INHIBIT	CONTROL INPUT			"ON"
	C	B	A	
L	L	L	L	Y_0-X_0
L	L	L	H	Y_1-X_1
L	L	H	L	Y_2-X_2
L	L	H	H	Y_3-X_3
L	H	L	L	—
L	H	L	H	—
L	H	H	L	—
L	H	H	H	—
H	X	X	X	NONE

H: HIGH LEVEL L: LOW LEVEL X: H or L
 *EXCEPT μ PD4052BC/4052BG

U 401: GP1U52 1A
(Remote Control Receptor)



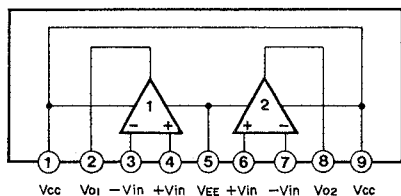
IC112: μ PD4053BC
 IC408: TC4053BP or μ PD4053BC or BU4053B or MN4053B
 (Triple 2-ch Multiplexer/Demultiplexer)



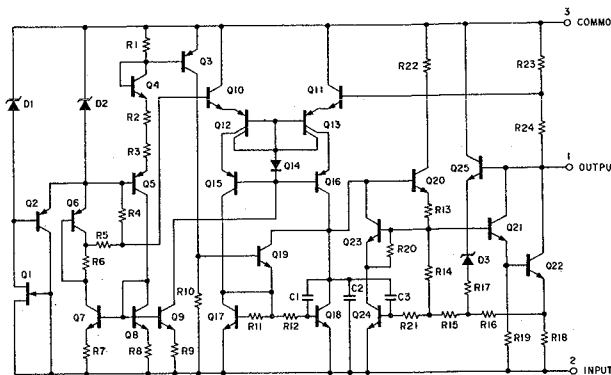
INHIBIT (Pin 6)	CONTROL INPUTS			"ON" CHANNEL		
	C (Pin 9)	B (Pin 10)	A (Pin 11)	Ox (Pin 12), Oy (Pin 2), Oz (Pin 5)	1X (Pin 13), 1Y (Pin 1), 1Z (Pin 3)	
L	L	L	L	Ox, Oy, Oz		
L	L	L	H	1X, 1Y, 1Z		
L	L	H	L	Ox, 1Y, 1Z		
L	L	H	H	1X, 1Y, Oz		
L	H	L	L	Ox, Oy, 1Z		
L	H	L	H	1X, Oy, 1Z		
L	H	H	L	Ox, 1Y, 1Z		
L	H	H	H	1X, 1Y, 1Z		
H	*	*	*	NOTE		

* Don't Care

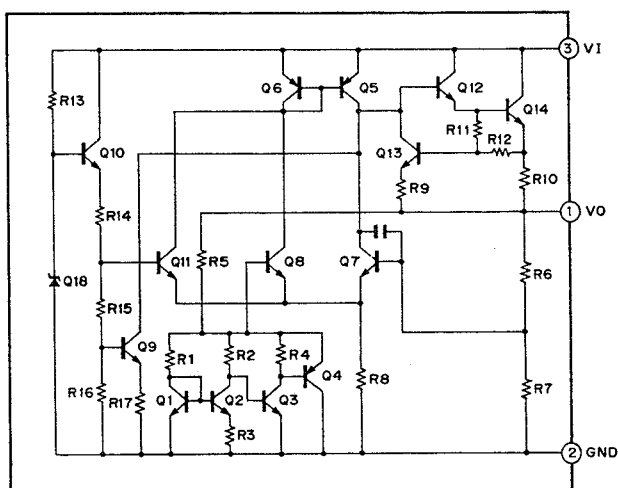
IC129: NJM4556S
 IC1, 2, 117, 131: NJM4558S
 (Ope-Amp)
 IC111, 113, 114, 118, 119, 125,
 127, 128, 134: μ PC4570HA
 (Ope-Amp)
 IC124: NJM2043S
 (Pre-Amp)



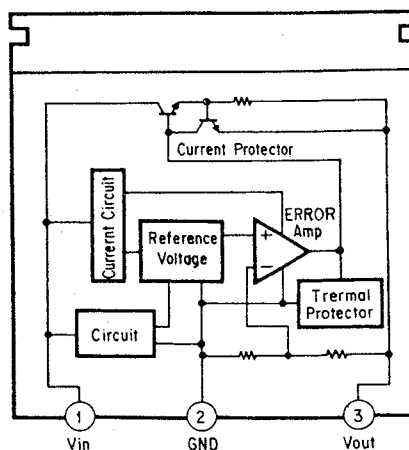
IC132: AN79M15F
 (Regulator)



IC413: NJM78L05 or μ PC78L05J
 (Regulator)

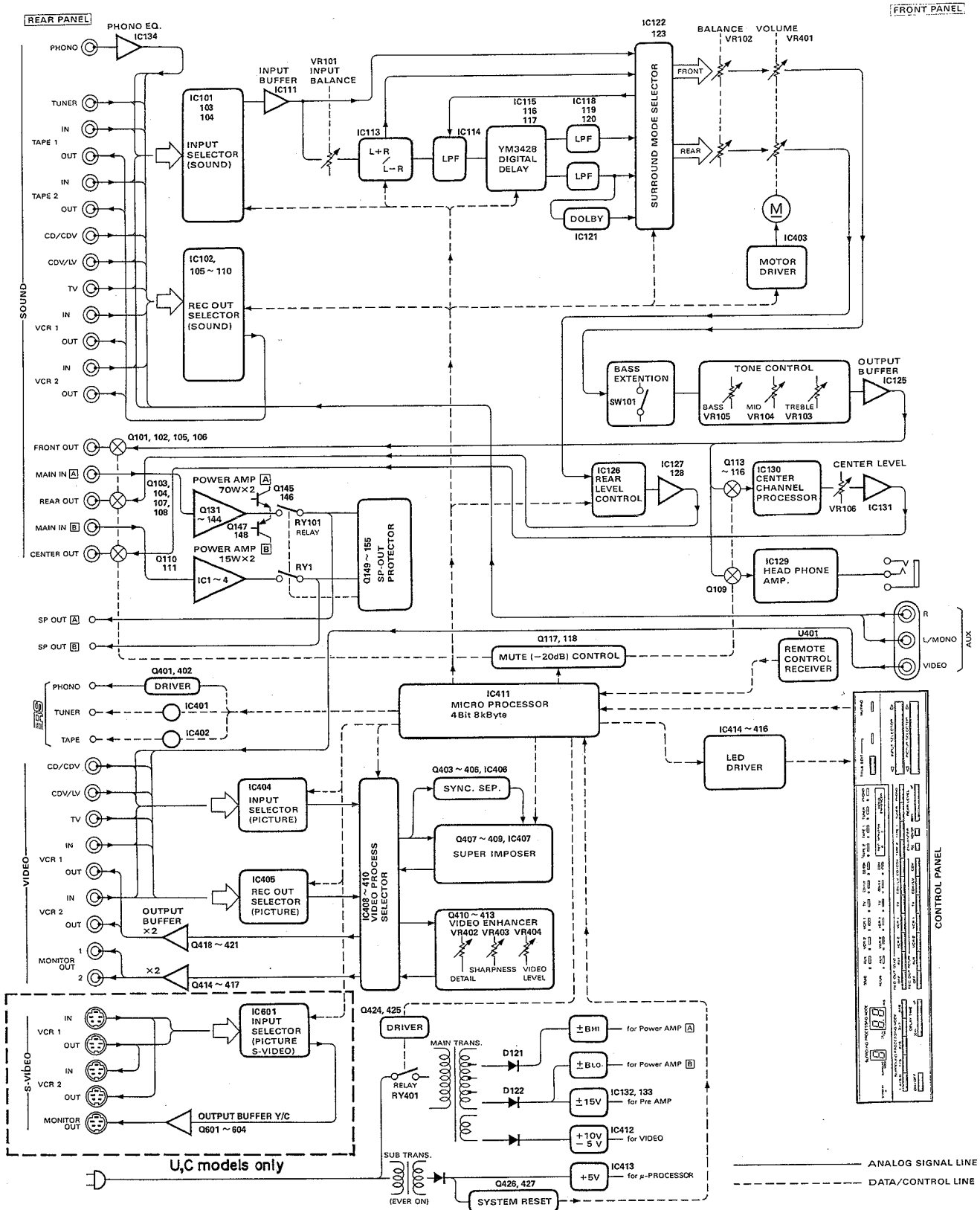


IC133: AN78M15F
 IC412: AN7810F
 (Regulator)



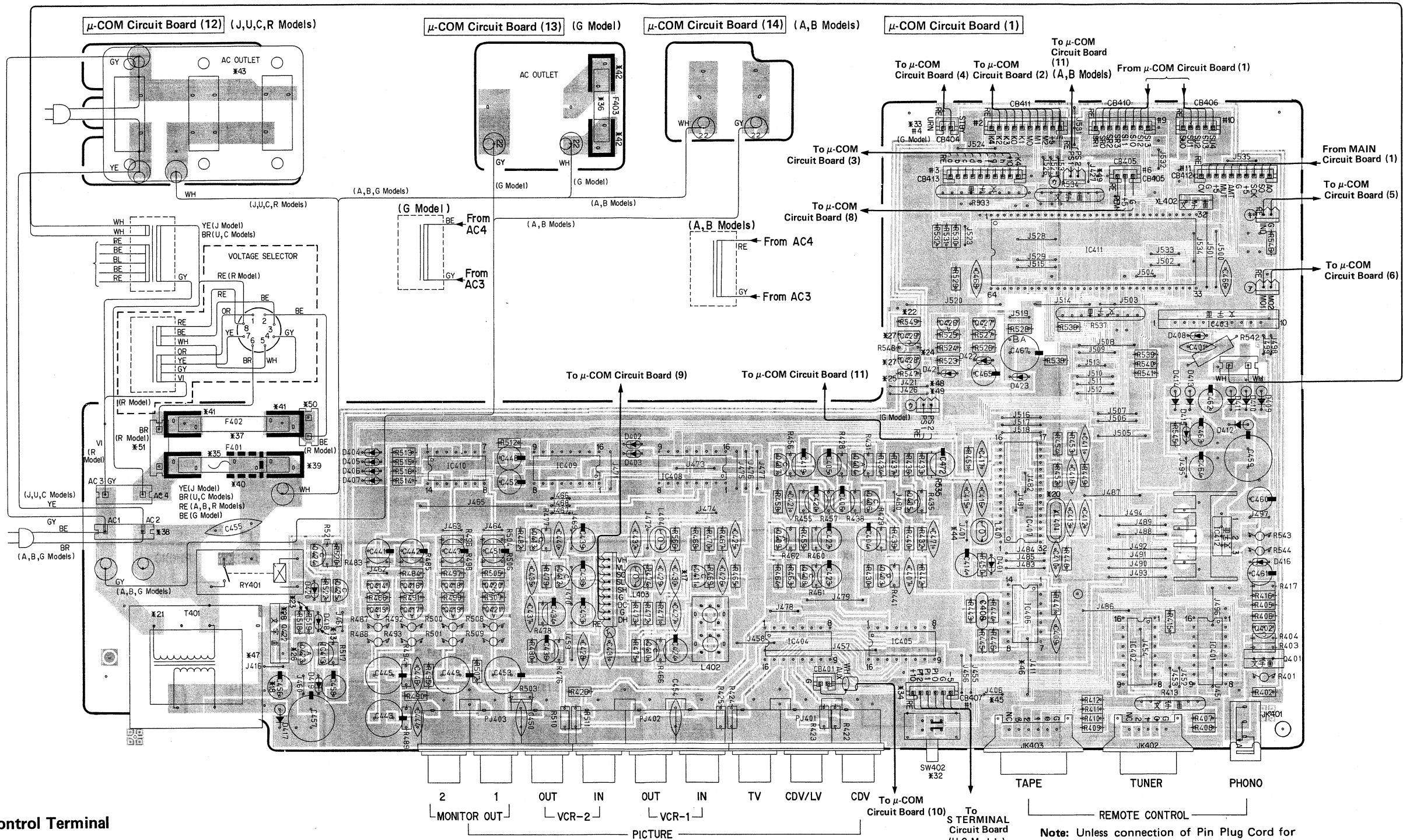
AVX-100/U

■ BLOCK DIAGRAM

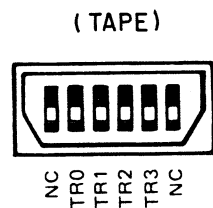


AVX100/U

PRINTED CIRCUIT BOARD (Pattern Side) (Note) 文字面: Component Side

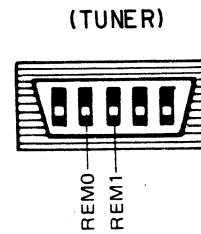


Remote Control Terminal



TR3	TR2	TR1	TR0	MODE
L	L	L	L	NO DATA
L	L	L	H	STOP
L	L	H	L	FF
L	L	H	H	REW
L	H	L	L	PLAY
L	H	L	H	REC PAUSE
L	H	H	L	REC MUTE
L	H	H	H	FADER
H	L	L	L	CUE
H	L	L	H	REVIEW
H	H	L	L	DIRECTION

NOTES): Elec. Voltage..... H: 3 15V
 L: Less than 0.6V
 Pulse Width..... More than 30m sec.
 Output Impedance
 Less than 10K Ω

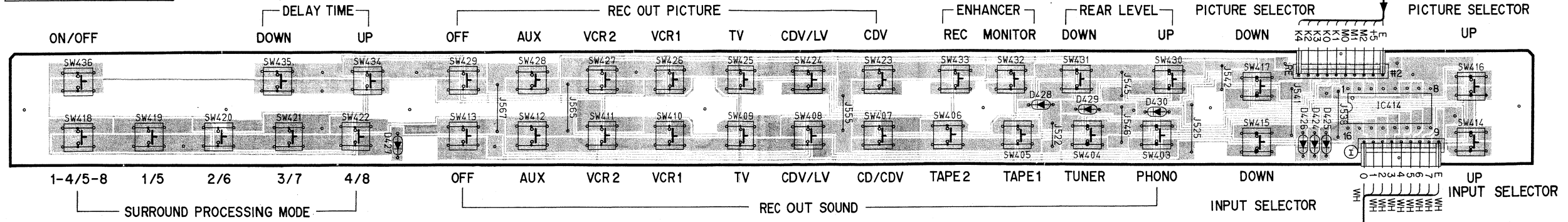


MODE	REM 0	REM 1
UP	H	L
DOWN	L	H
P1-P8/P9-P16	H	H

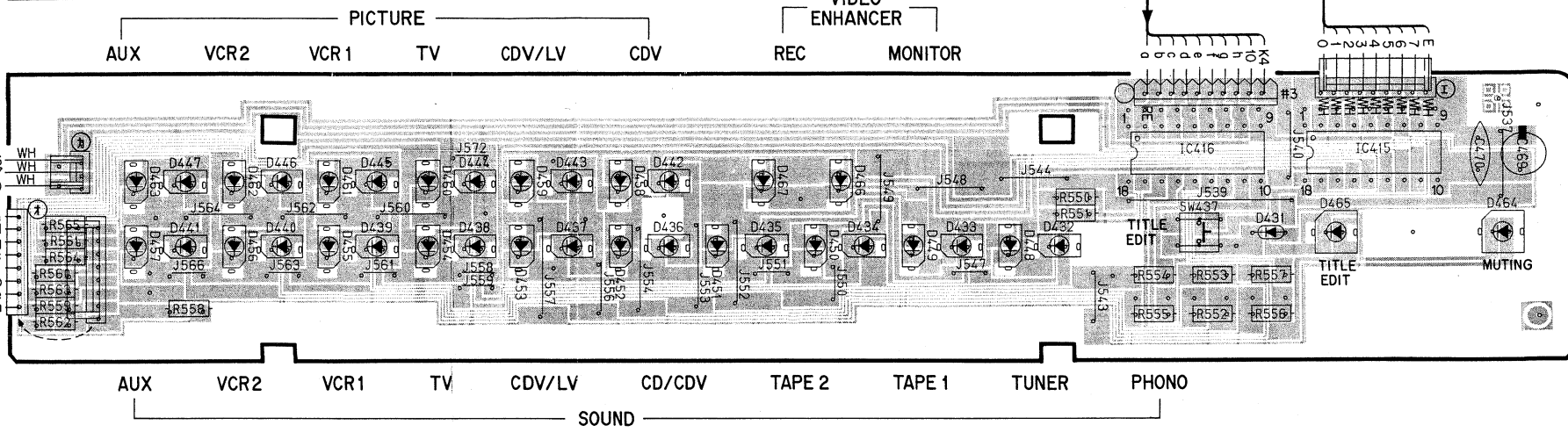
L= 0~1.5V
 H= 3.3~5.5V

AVX-100/U
PRINTED CIRCUIT BOARD (Pattern Side) (Note) 文字面 : Component Side

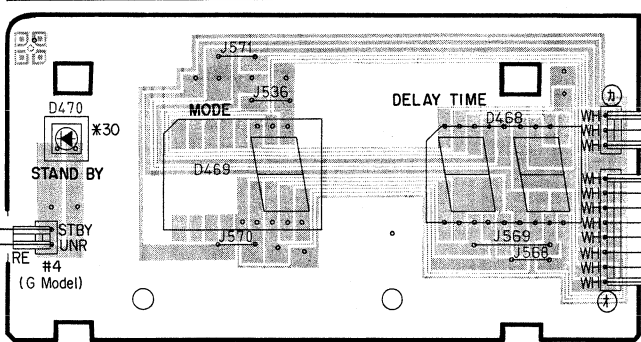
μ-COM Circuit Board (2)



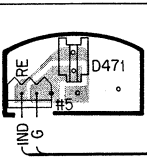
μ-COM Circuit Board (3)



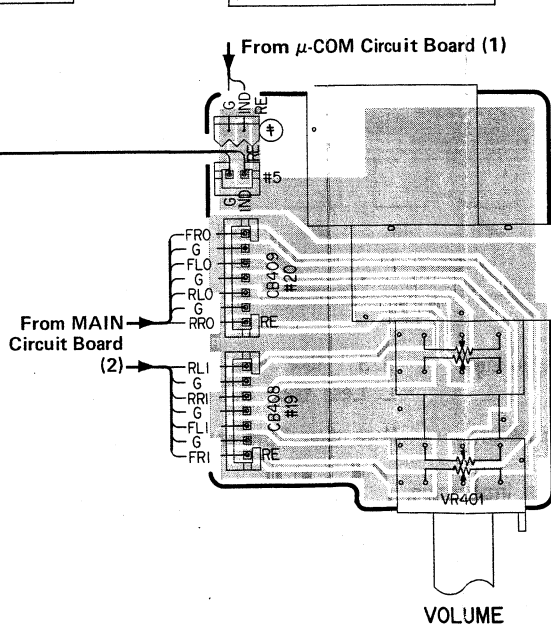
μ-COM Circuit Board (4)



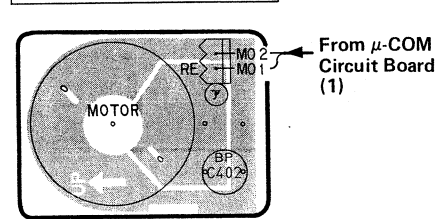
μ-COM Circuit Board (7)



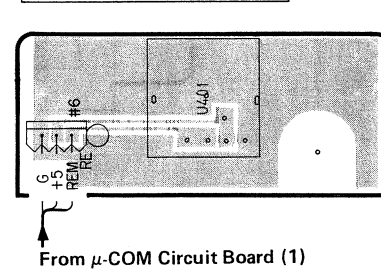
μ-COM Circuit Board (5)



μ-COM Circuit Board (6)



μ-COM Circuit Board (8)



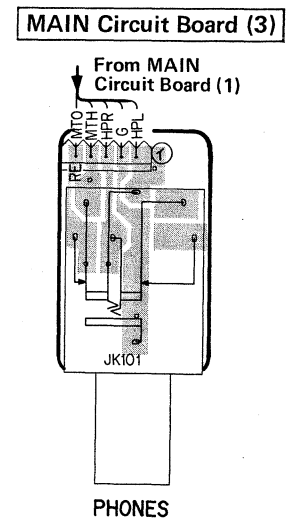
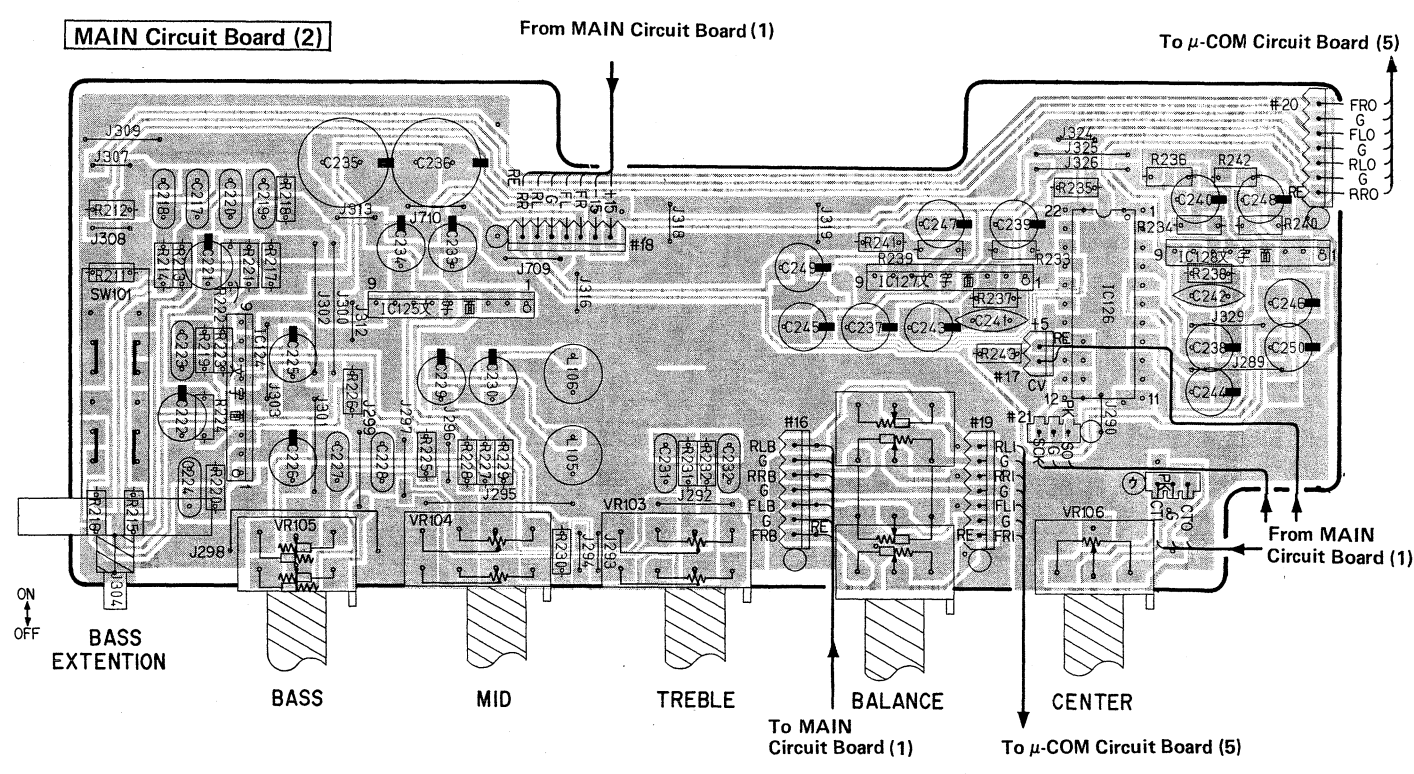
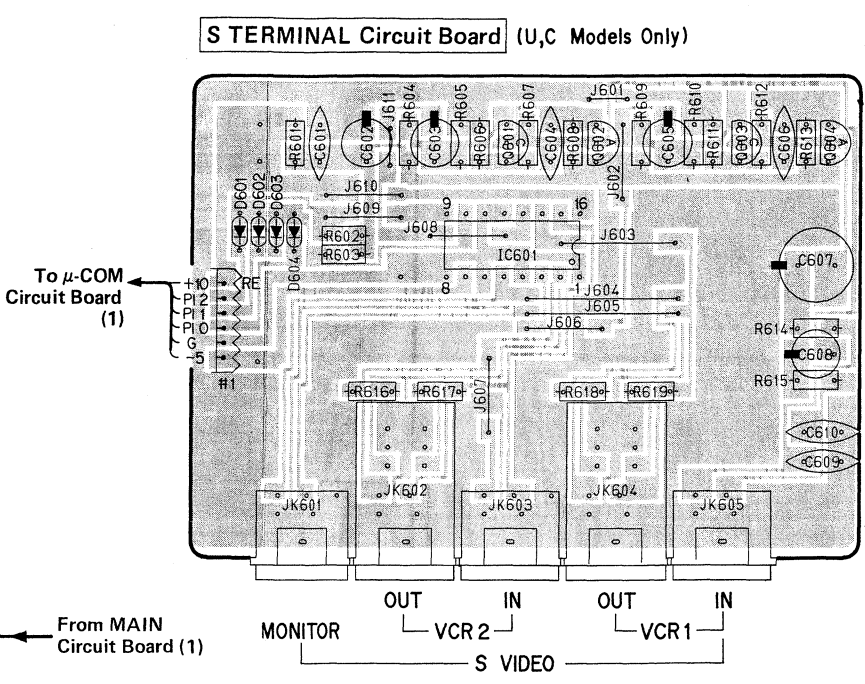
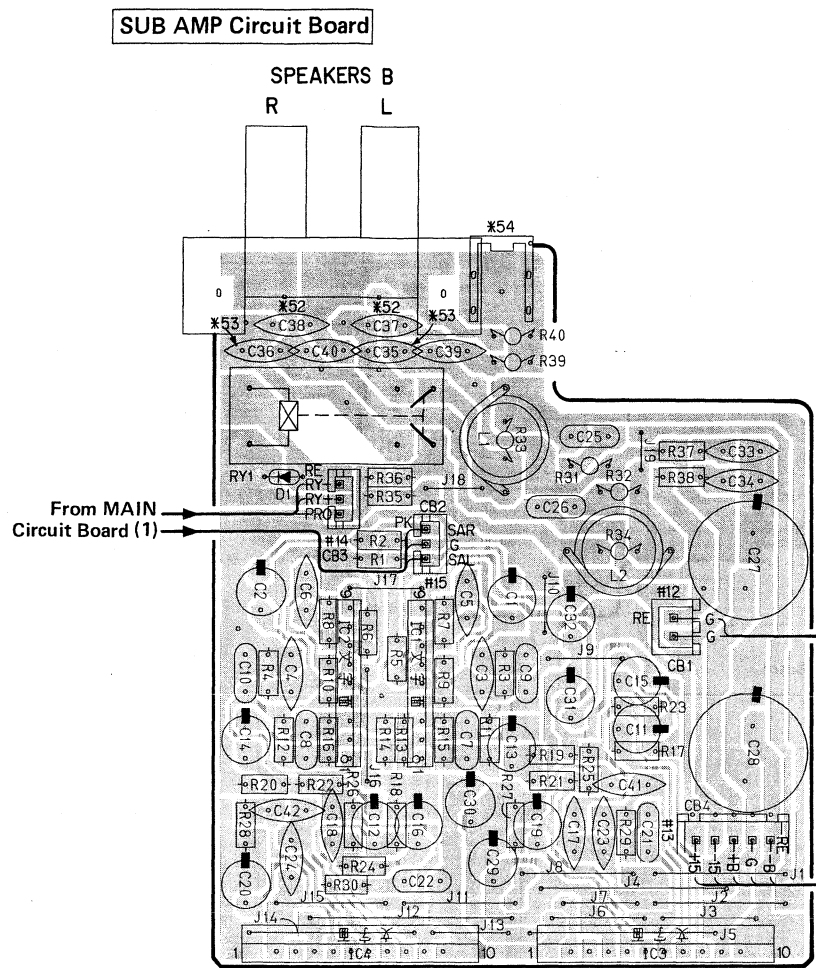
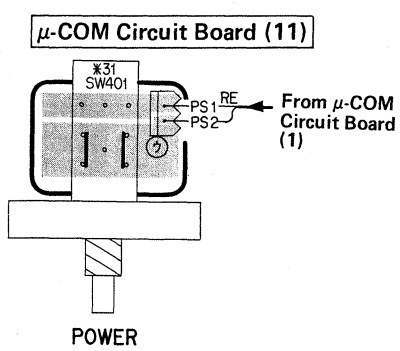
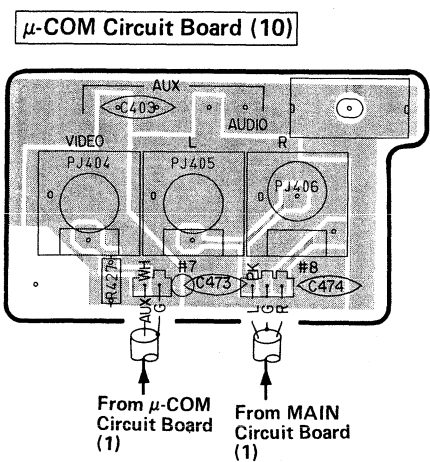
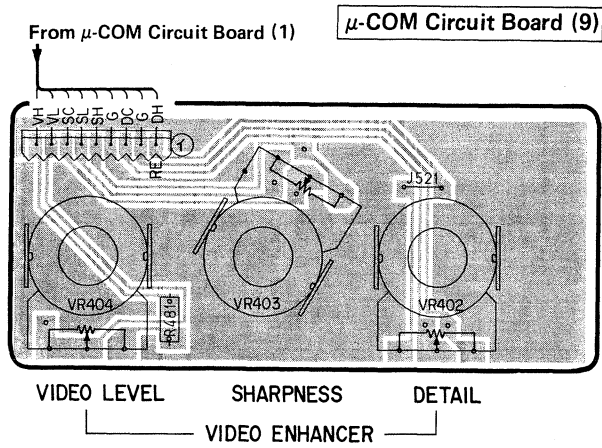
Note: * marked

QTY	REF	DESCRIPTION	QTY	REF	DESCRIPTION	QTY	REF	DESCRIPTION
1	C103, 104	OPEN						100P
2	C121 ~ 154	OPEN						470P
3	C329, 330	OPEN						4700P
4	C331 ~ 334	OPEN						0.01
5	C105, 106	OPEN						160P/100
6	L101, 102	OPEN						15μH
7	L103, 104	OPEN						220μH
8	R103, 104	47						OPEN
9	R105, 106	OPEN						47
10	R101, 102	OPEN						2.2K
11	R377, 378	OPEN						4.7
12	D121	4D4B41		RB402	4D4B41			
13	J101, 102	○						X
14	C303, 304	10000/63		8200/63				
15	R387, 388	2P 1.2K		2P 1K	2P 1.2K			
16	SPEAKER TERMINAL	VF01B40						VF82400
17	C430	680P						470P
18	C456	OPEN						OPEN
19	L404	15μH						10μH
20	XL401	14.31818MHz						17.33447MHz
21	T401	XA752		XA754	XA753			XE938
22	R549	OPEN						XE585
23	R518, 519	OPEN						2.2K
24	R548	OPEN						4.7K
25	R547	OPEN						OPEN
26	Q423	OPEN						10K
27	Q428, 429	OPEN						100K
28	Q422	OPEN						○
29	D418	OPEN						○
30	D470	OPEN						MTZ12B
31	SW401	KAB0455						LD-101VR
32	SW402	OPEN						KAB0447
33	CB404	X						○
34	CB407	○						○
35	F401	T5A 250V		5A 250V				T2.5A 250V
36	F403	OPEN						T2.5A 250V
37	F402	OPEN						○
38	TERMINAL	X						T3.5A 250V
39	FUSE HOLDER	○						○
40	FUSE HOLDER	X						X
41	FUSE HOLDER	X						○
42	FUSE HOLDER	X						X
43	AC OUTLET	○						○
44	J401	X						X
45	J406	○						○
46	J411	X						X
47	J416	○						X
48	J421	○						X
49	J426, 427	X						○
50	TERMINAL	X						X
51	TERMINAL	X						X
52	C37, 38	OPEN						0.01
53	C35, 36	OPEN						4700P
54	SCREW TERMINAL	X						○

PRINTED CIRCUIT BOARD (Pattern Side) (Note) 文字面: Component Side

AVX-100/U

1
2
3
4
5
6
7

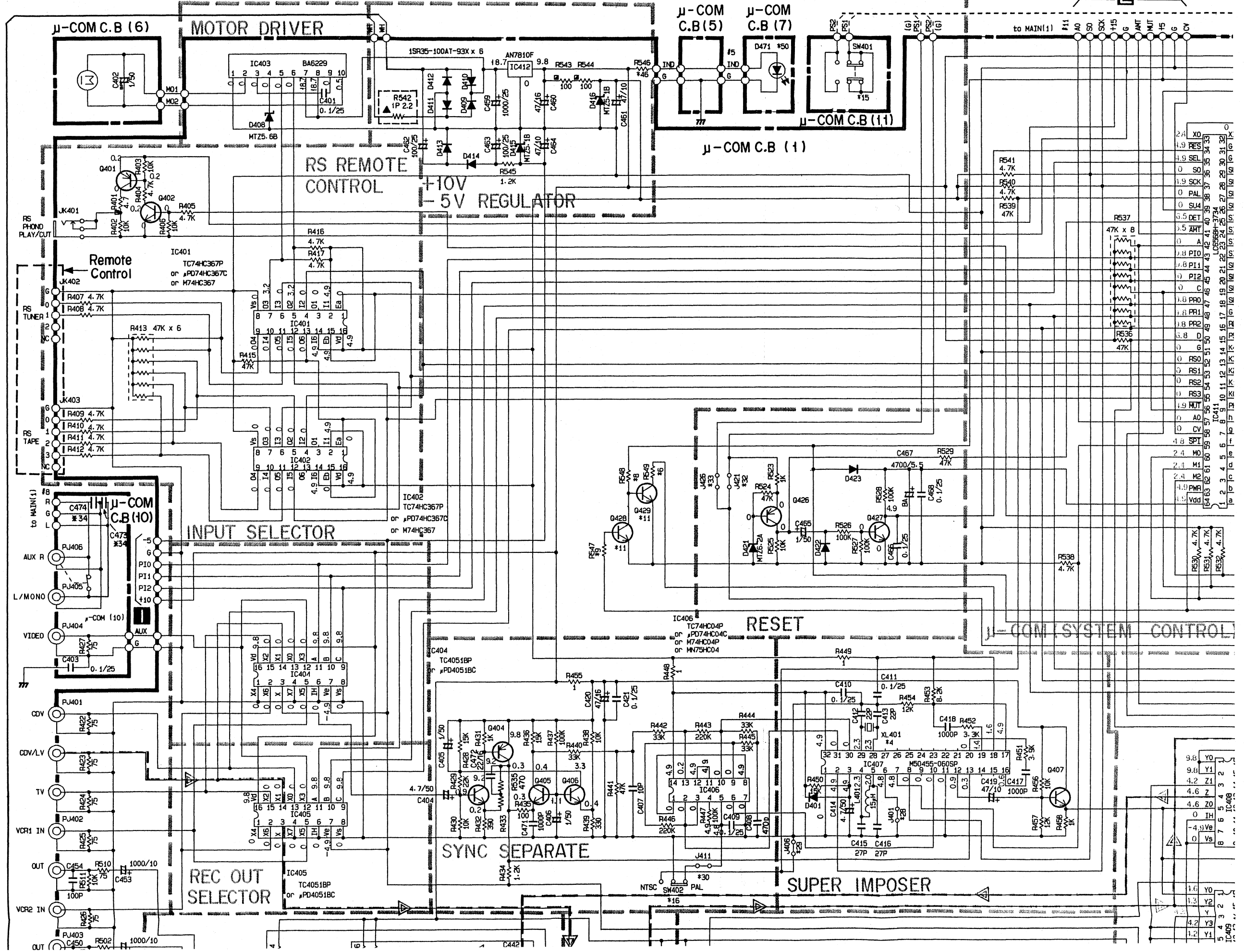


Note: * marked

*		J	U	C	R	A, B	G
1	C103, 104	OPEN					100P
2	C121 - 154	OPEN					470P
3	C329, 330	OPEN					4700P
4	C331 - 334	OPEN					0.01
5	C105, 106	OPEN					150P/100
6	L101, 102	OPEN					15μH
7	L103, 104	OPEN					220μH
8	R103, 104	47					OPEN
9	R105, 106	OPEN					47
10	R101, 102	OPEN					2.2K
11	R377, 378	OPEN					4.7
12	D121	4D4B41			RB402	4D4B41	
13	J101, 102	○					X
14	C303, 304	10000/63	8200/63				
15	R387, 388	2P 1.2K			2P 1K	2P 1.2K	
16	SPEAKER TERMINAL	VF01840					VF82400
17	C430	680P					470P
18	C456	OPEN				47/63	OPEN
19	L404	15μH					10μH
20	XL401	14.31818MHz					17.734475MHz
21	T401	XA752	XA754			XA753	XE938
22	R649	OPEN					2.2K
23	R618, 619	OPEN				4.7K	OPEN
24	R648	OPEN					10K
25	R547	OPEN					100K
26	Q423	OPEN				○	OPEN
27	Q428, 429	OPEN					○
28	Q422	OPEN					○
29	D418	OPEN				MTZ12B	OPEN
30	D470	OPEN					LD-101VR
31	SW401	KAB0465					KAB0447
32	SW402	OPEN					OPEN
33	CB404	X					○
34	CB407	○				X	○
35	F401	T5A 250V	5A 250V				T2.5A 250V
36	F403	OPEN					T2.5A 250V
37	F402	OPEN				T3.5A 250V	OPEN
38	TERMINAL	X					○
39	FUSE HOLDER	○					X
40	FUSE HOLDER	○					○
41	FUSE HOLDER	X					X
42	FUSE HOLDER	X					○
43	AC OUTLET	○					X
44	J401	X					○
45	J406	○				X	○
46	J411	X				X	○
47	J416	○				X	○
48	J421	○					X
49	J426, 427	X					○
50	TERMINAL	X					X
51	TERMINAL	X					X
52	C37, 38	OPEN					0.01
53	C36, 36	OPEN					4700P
54	SCREW TERMINAL	X					○

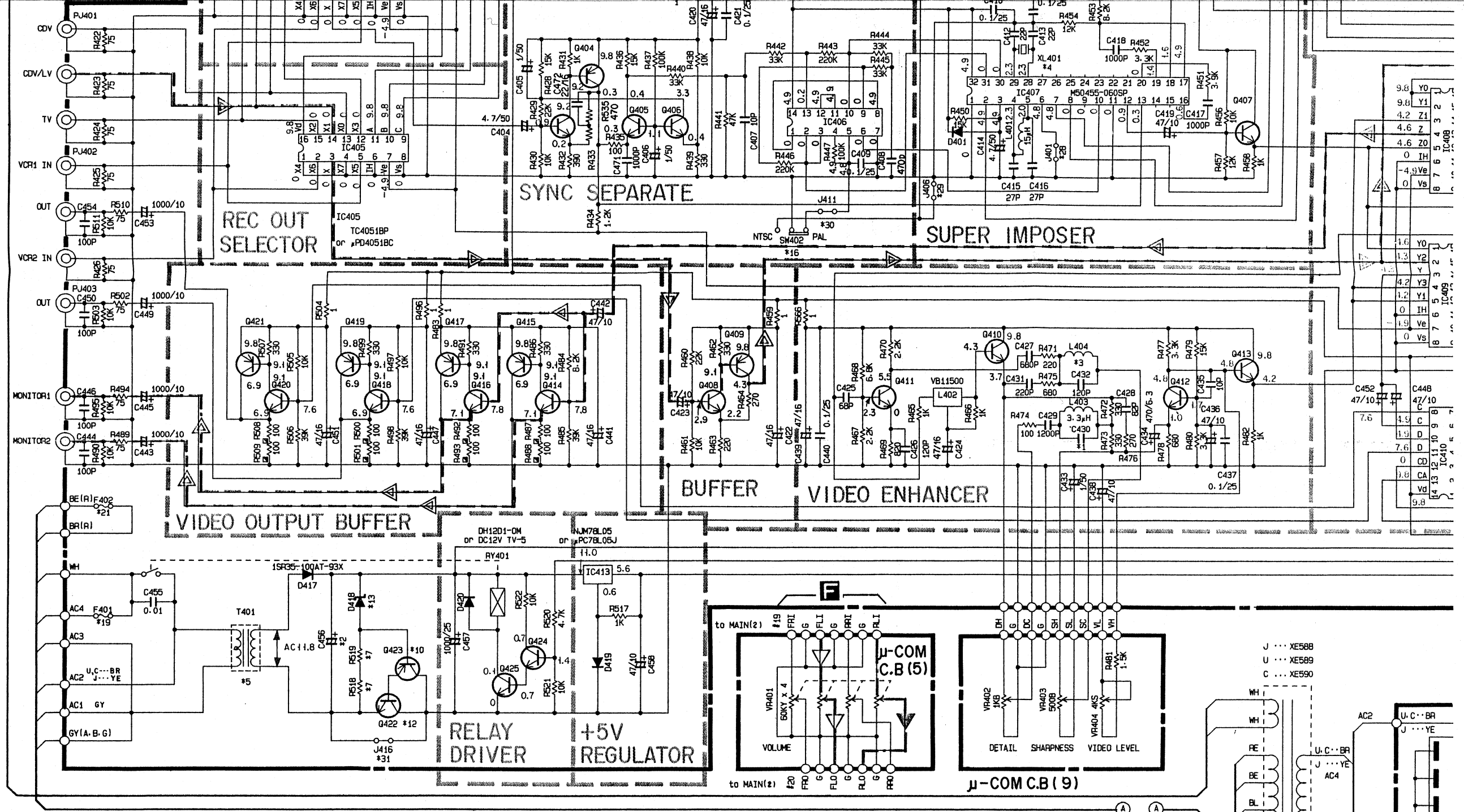
AVX-100

SCHEMATIC DIAGRAM



2.4	XO	1.0
4.9	RES	1.0
4.9	SEL	1.0
0	SS	1.0
1.9	SOX	1.0
0	PAL	1.0
0	SU4	1.0
6.5	DET	1.0
0.5	AMT	1.0
0	A	1.0
0.8	PI0	1.0
0.8	PI1	1.0
0	PI2	1.0
1.8	PR0	1.0
1.8	PR1	1.0
1.8	PR2	1.0
6.8	D	1.0
0	G	1.0
0	RS0	1.0
0	RS1	1.0
0	RS2	1.0
0	RS3	1.0
1.9	MUT	1.0
0	AB	1.0
4.8	CV	1.0
2.4	MT	1.0
2.4	M1	1.0
2.4	M2	1.0
4.9	PMR	1.0
4.9	VDR	1.0
1	2	3
4	5	6
7	8	9
10	11	12
13	14	15
16	17	18
19	20	21
22	23	24
25	26	27
28	29	30
31	32	33
34	35	36
37	38	39
40	41	42
43	44	45
46	47	48
49	50	51
52	53	54
55	56	57
58	59	60
61	62	63
64	65	66
67	68	69
70	71	72
73	74	75
76	77	78
79	80	81
82	83	84
85	86	87
88	89	90
91	92	93
94	95	96
97	98	99
100	101	102
103	104	105
106	107	108
109	110	111
112	113	114
115	116	117
118	119	120
121	122	123
124	125	126
127	128	129
130	131	132
133	134	135
136	137	138
139	140	141
142	143	144
145	146	147
148	149	150
151	152	153
154	155	156
157	158	159
160	161	162
163	164	165
166	167	168
169	170	171
172	173	174
175	176	177
178	179	180
181	182	183
184	185	186
187	188	189
190	191	192
193	194	195
196	197	198
199	200	201
202	203	204
205	206	207
208	209	210
211	212	213
214	215	216
217	218	219
220	221	222
223	224	225
226	227	228
229	230	231
232	233	234
235	236	237
238	239	240
241	242	243
244	245	246
247	248	249
250	251	252
253	254	255
256	257	258
259	260	261
262	263	264
265	266	267
268	269	270
271	272	273
274	275	276
277	278	279
280	281	282
283	284	285
286	287	288
289	290	291
292	293	294
295	296	297
298	299	300

5
6
7
8
9
0



Note: Unless connection of Pin Plug Cord for use in sound has been done besides the connection of RS Flat Cable, Tuner and Cassette Deck will not work. Therefore, be sure to confirm it.

PICTURE mode
LINE mode
REAR (SURROUND) mode

Note: VR401 has been connected with motor of μ -COM C. B (6).

Unless otherwise specified / TRANSISTOR

Q404, 409, 415, 417	2SA1015(Y)
419, 421, 423, 426	2SA1185 or 2SB1274
Q401	2SB1185 or 2SB1274
Q402, 407, 410, 413	2SC1740S(S, R) or 2SC2603(E, F) or 2SC3312(R, S, T)
424, 425, 427-429	2SC3312(R, S, T)
Q403, 405, 406, 408, 411	2SC535(A, B, C)
412, 414, 416, 418, 420	2SC535(A, B, C)
Q422	2SD716(R, O)

Unless otherwise specified / DIODE

D401-407, 419, 420	1SS133
422-431	1SS133
D464, 465	SLR-55URC3H
D448-463, 466, 467	SLR-34URC3H3
D442-447	SLR-34MC3H3

Unless otherwise specified / SWITCH

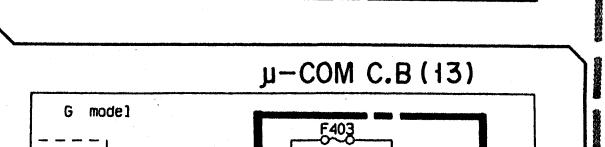
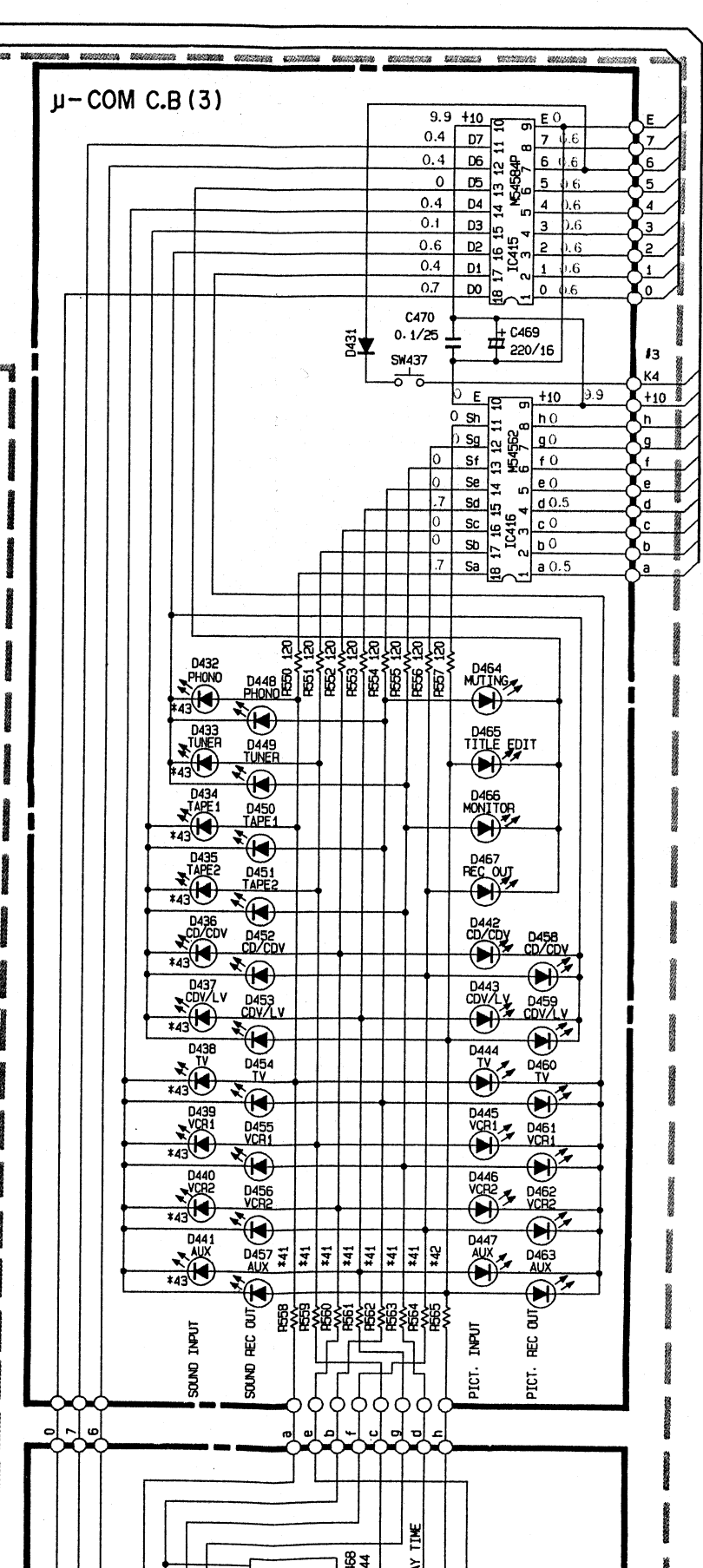
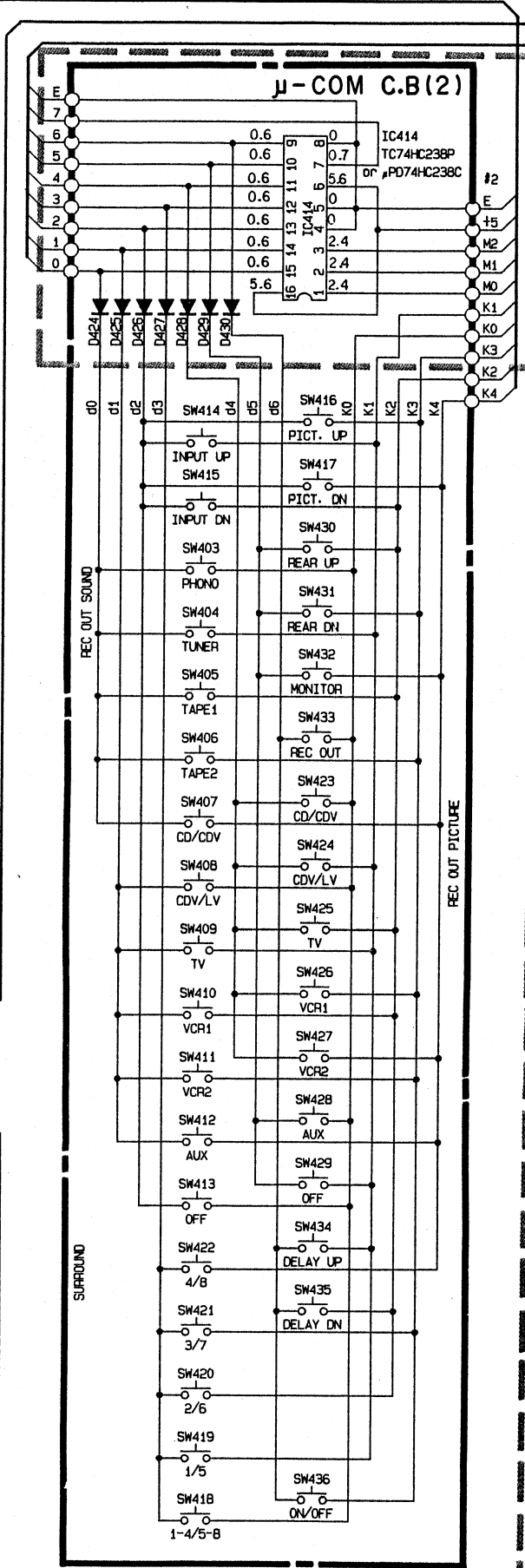
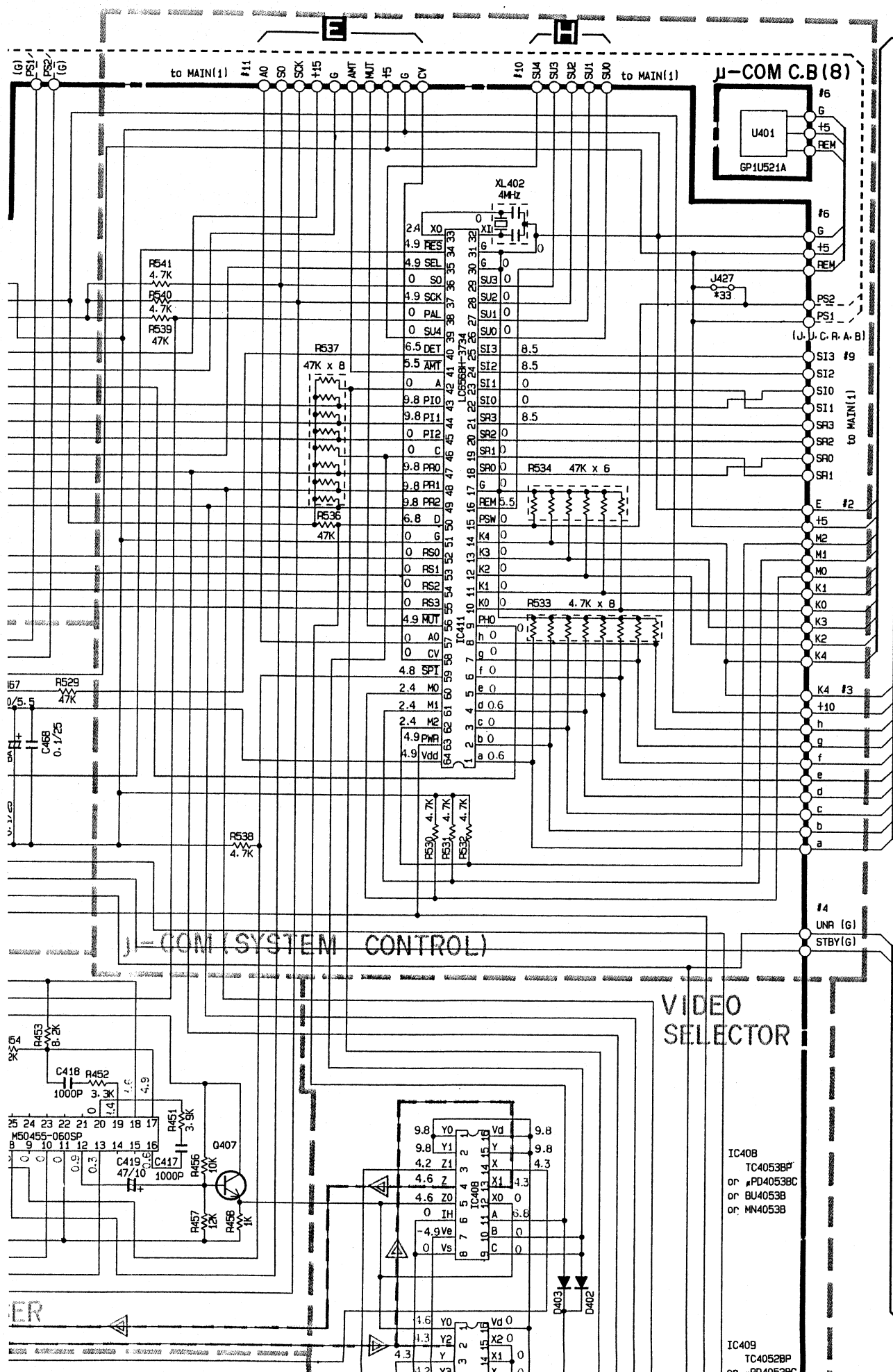
SW403-437	5MEVQ-QRB-04M or KHH-MA901
-----------	----------------------------

*	BLACK	TITAN
41, R558-564	1	68
42, R565	330	180
43, D432-441	SLR-34URC3H3	SLR-34YC3H3
44, D468	GL6P228	GL6H228
45, D469	GL6P229	GL6H229
46, R546	1.8K	680
50, D471	SLB-15VM3F	SLB-15YY

	LAST NO.	UN LISTED NO.
C	471	
D	471	468-469
IC	416	412-413
L	404	402
Q	429	
R	535	414, 418-421, 535

NOTICE
(U)..... U.S.A model
(C)..... Canadian model
(A)..... Australian model
(G)..... European model
(B)..... British model
(R)..... General model

<p>2SA1015 (Y) 2SC1740S (S, R) 2SC2603 (E, F) 2SC3312 (R, S, T) 2SC535 (A, B, C) 2SD716 (R, O)</p>	<p>2SB1185 2SB1274</p>	<p>1SS133 1SR35-100AT-93X MTZ5.1B MTZ5.6B MTZ6.2A MTZ12B</p>	<p>SLR-55URC3H SLR-34URC3H3 SLR-34YC3H3 SLR-34MC3H3 LD-101VR</p>	<p>NJM78L05 μPC78L05J</p>	<p>AN7810F</p>	<p>TC4066BP LC4066 MN4066B TC74HC04P μPD74HC04C M74HC04P MN74HC04</p>	<p>TC4051BP μPD4051BC TC4052BP μPD4052BC TC4053BP μPD4053BC BU4053B MN4053B μPD74HC238C</p>	<p>TC74HC238P TC74HC367P μ74HC367C M74HC367</p>	<p>M54584P M54562</p>	BA
--	----------------------------	--	--	--	----------------	--	---	--	---------------------------	----



AVX-100/U
SCHEMATIC DIAGRAM

1

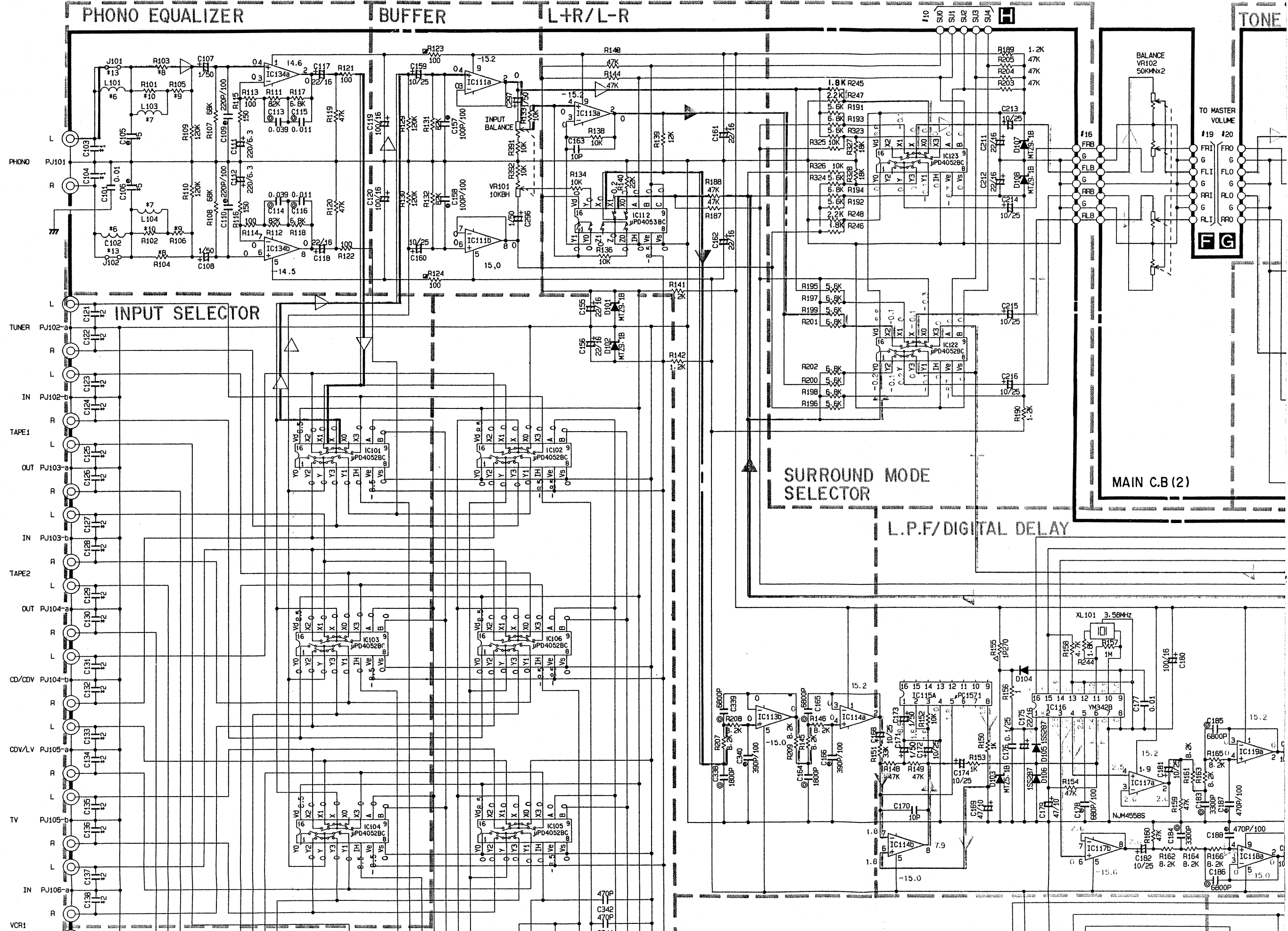
2

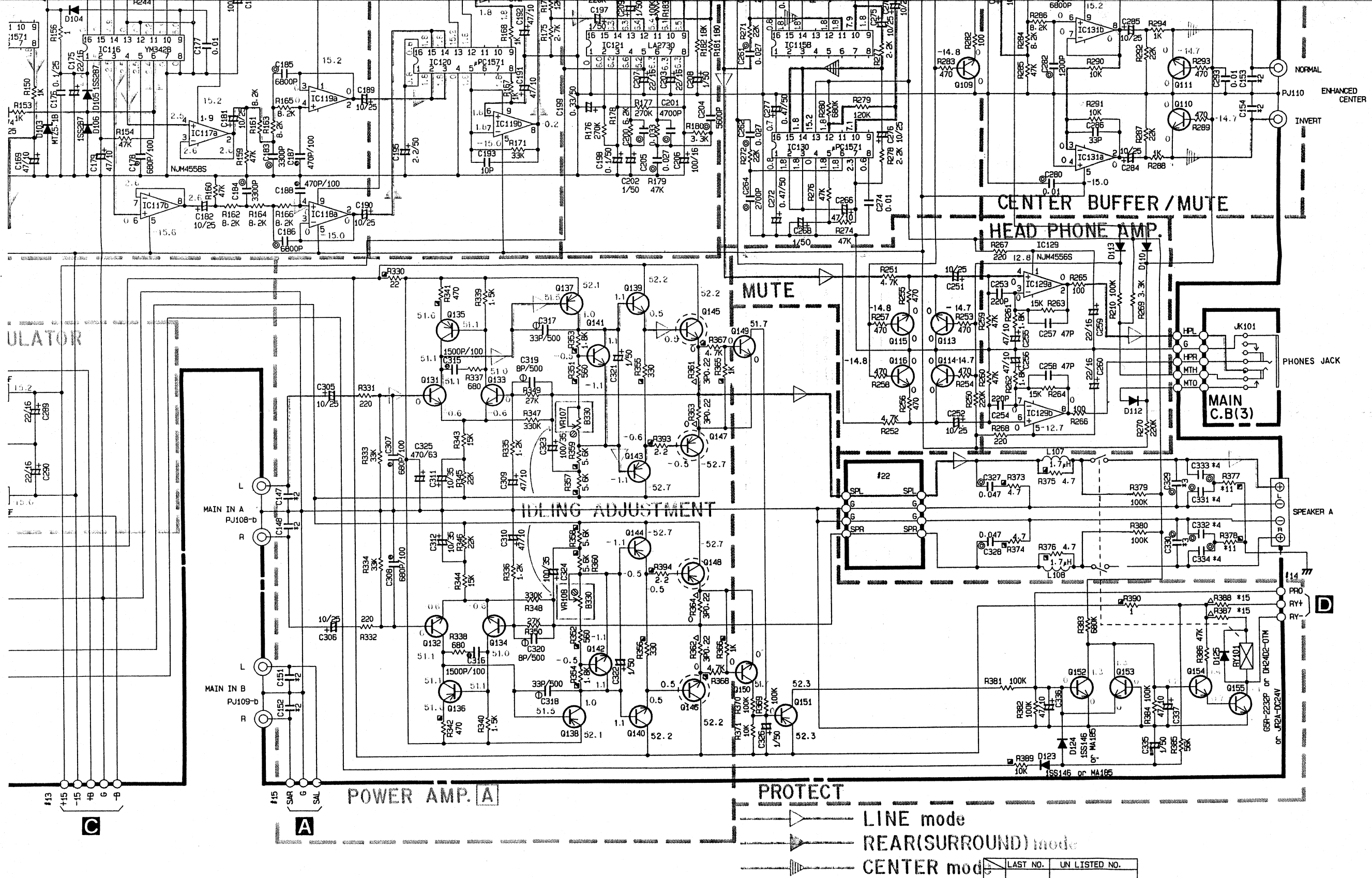
3

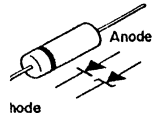
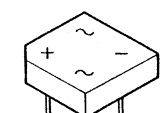
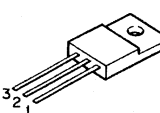
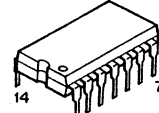
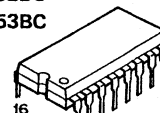
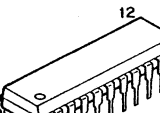
4

5

6





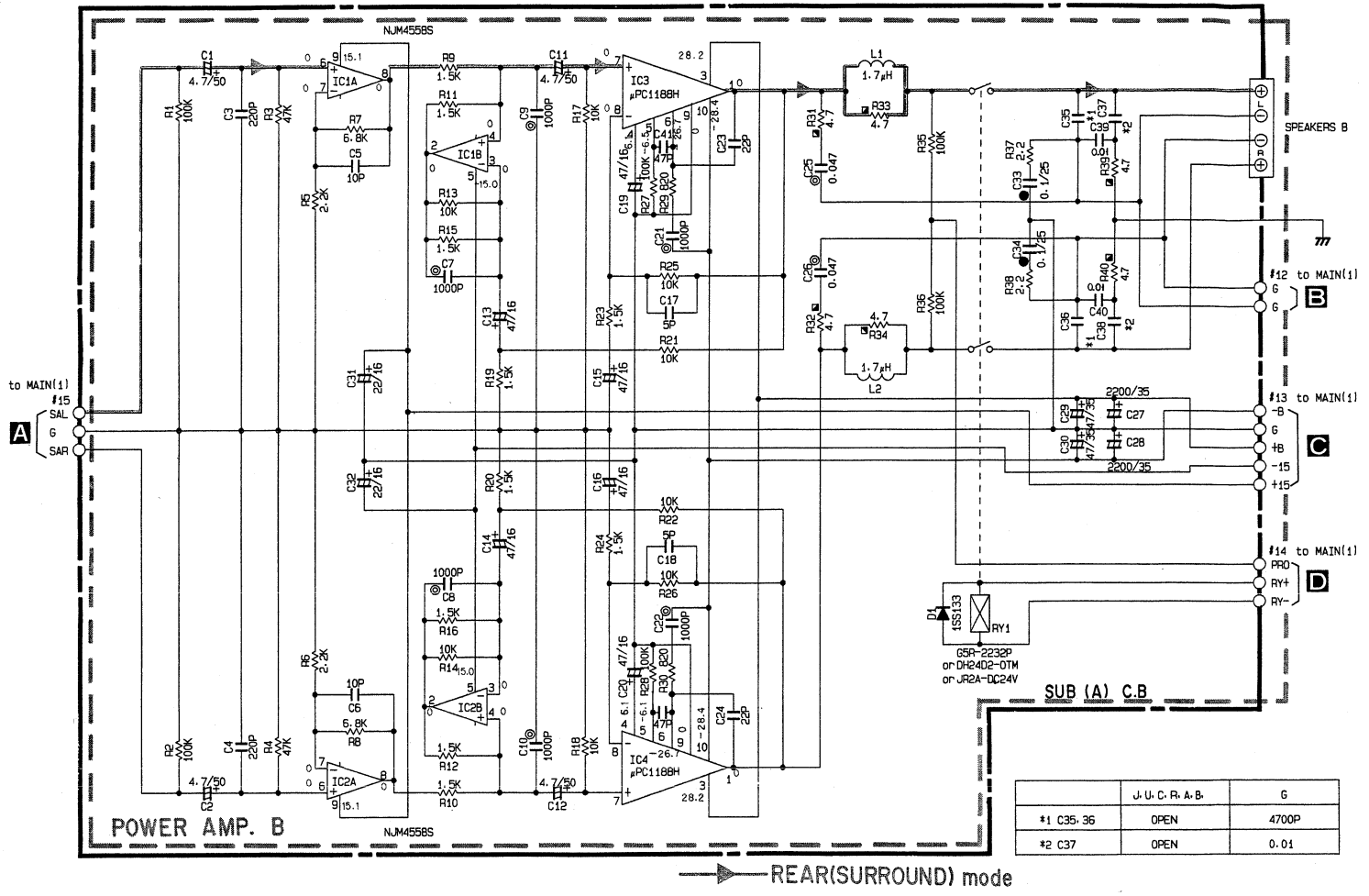
 4D4B41 RB402 2B4B41	 AN78M15F AN79M15F	 NJM4556S μPC4570HA NJM2043S NJM4558S	 TC4011BP BU4011B MN4011B μPD4066BC LC4066	 μPC1571 LA2730 YM3428 μPD4052BC μPD4053BC	 LC7535
--	---	--	--	--	---

	LAST NO.	UN LISTED NO.
C	342	102-167-196-269-270-299-300.
D	125	114-120.
IC	134	132-133.
Q	155	112-118-130.
R	396	173-249.

CAUTION

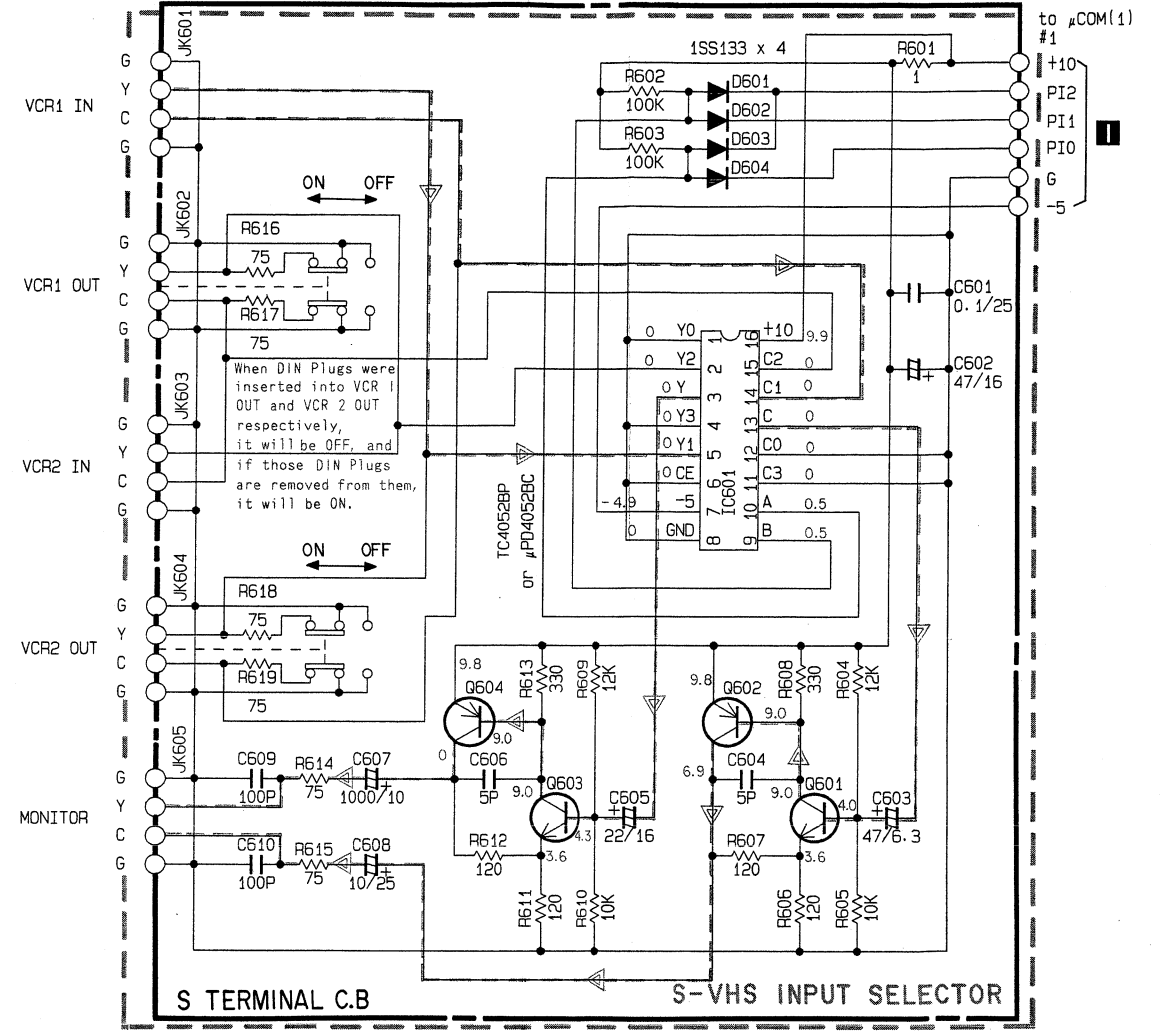
- Components having special characteristics are marked Δ and must be replaced with parts having specifications equal to those originally installed.
- All voltages are measured with a 10M Ω /V DC electric volt meter.
- Schematic diagram is subject to change without notice.

SCHEMATIC DIAGRAM



	J-U-C-R-A-B	G
#1 C35, 36	OPEN	4700P
#2 C37	OPEN	0.01

(U,C Models Only)



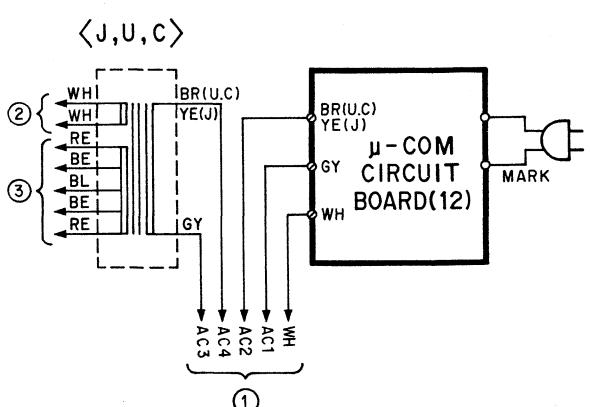
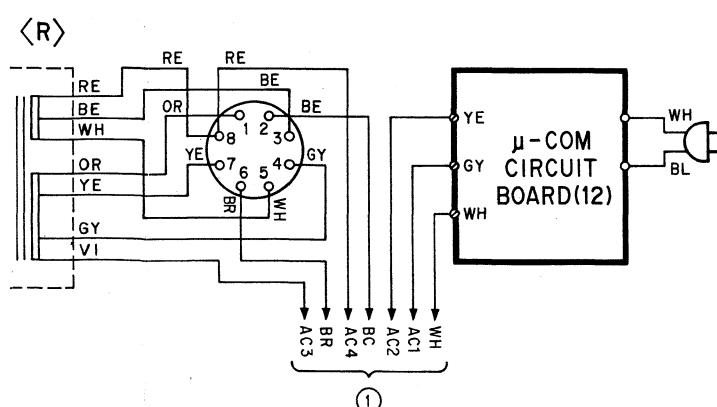
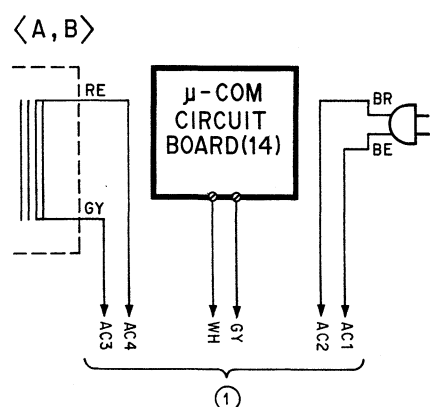
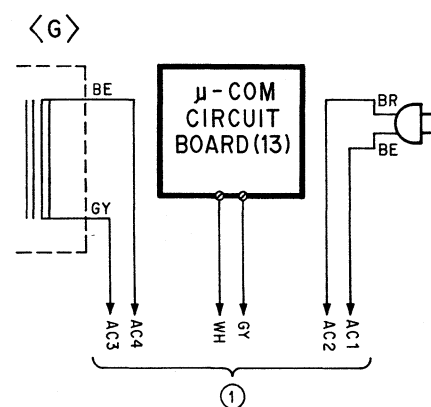
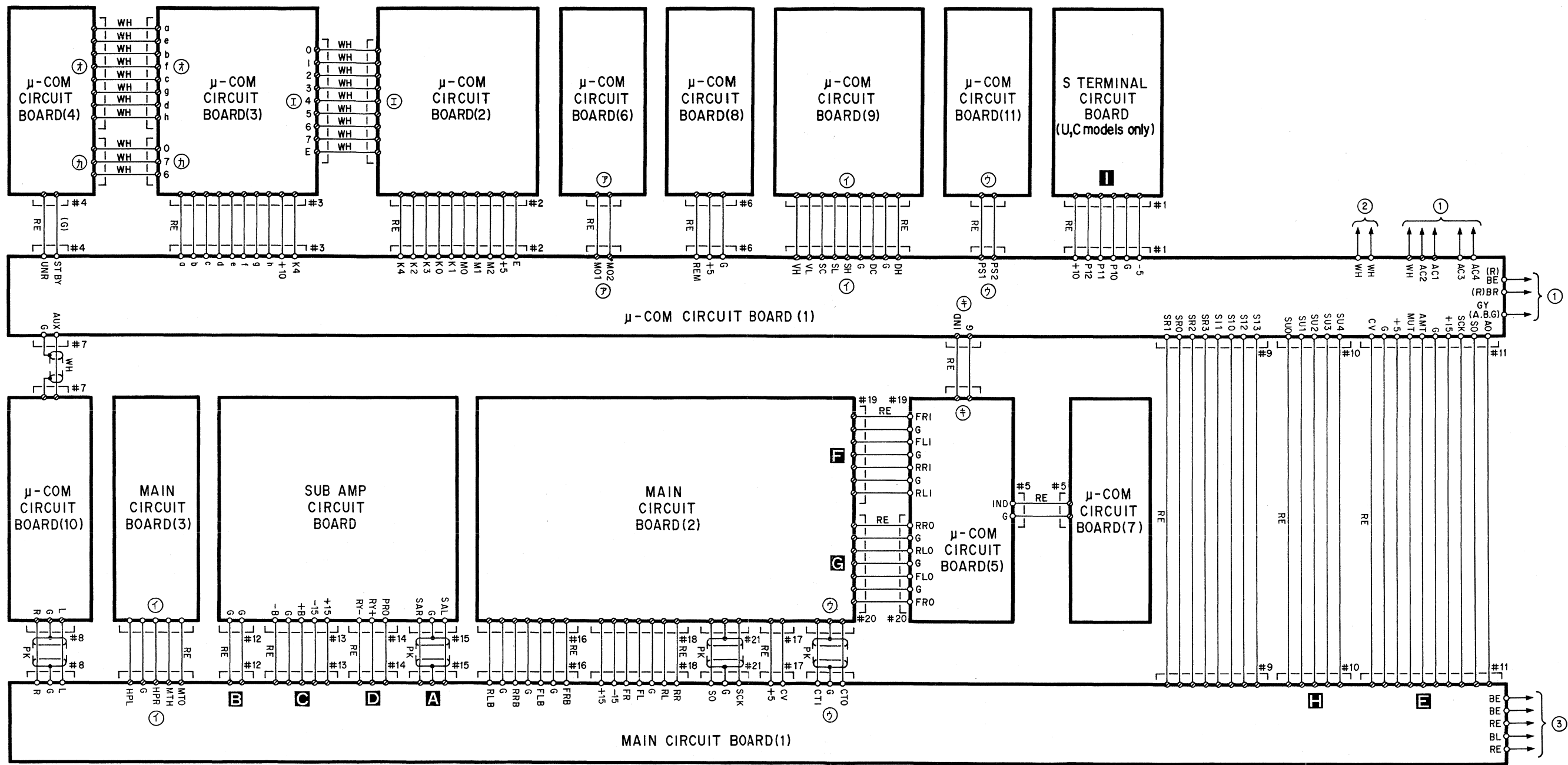
G 0601-603 2SC535 (A, B, C) --- PICTURE mode
 Y 0602-604 2SA1015Y

<p>2SA1015 (Y) 2SC535 (A, B, C)</p>	<p>1SS133</p>	<p>NJM4558S</p>	<p>μPC1188H</p>	<p>TC4052BP μPD4052BC</p>
---	---------------	-----------------	-----------------	-------------------------------

CAUTION

- Components having special characteristics are marked Δ and must be replaced with parts having specifications equal to those originally installed.
- * All voltages are measured with a 10M Ω /V DC electric volt meter.
- * Schematic diagram is subject to change without notice.

WIRING




AVX-100/U

PARTS LIST

ELECTRICAL PARTS

■ WARNING

- Components having special characteristics are marked  and must be replaced with parts having specifications equal to those originally installed.
- Carbon resistors 1/6 W are not included in the ELECTRICAL PARTS list. For the parts No. of the carbon resistor, refer to the last Page.

Ref. No.	Part No.	Description	部 品 名		Remarks	Common Model	Markets	ランク
※	NA 09 87 10	Sub Amp. Circuit Board			サブアンプシート		J,U,C,R,A,B	
※	NA 09 87 20	//			//		G	
	FG 21 05 00	Ceramic Cap.	5pF	50V	セラコン	C17, 18		
	FG 21 11 00	//	10pF	50V	//	C5, 6		
	FG 21 12 20	//	22pF	50V	//	C23, 24		
	FG 21 14 70	//	47pF	50V	//	C41, 42		
	VA 76 21 00 FZ 00 58 80	//	0.1μF	25V	積層セラコン	C33, 34		
	FA 15 31 00	Mylar Cap.	1000pF	50V	マイラーコン	C7~10, 21, 22		
	FG 21 34 70	Ceramic Cap.	4700pF	50V	セラコン	C35, 36	G	
	FG 24 41 00	//	0.01μF	50V	//	C37, 38	G	
	FG 24 41 00	//	0.01μF	50V	//	C39, 40		
	FA 15 44 70	Mylar Cap.	0.047μF	50V	マイラーコン	C25, 26		
	FG 21 22 20	Ceramic Cap.	220pF	50V	セラコン	C3, 4		
	UJ 13 72 20	Electrolytic Cap.	22μF	16V	ケミコン	C31, 32		
	UJ 13 74 70	//	47μF	16V	//	C13~16, 19, 20		
	UJ 15 74 70	//	47μF	35V	//	C29, 30		
	UJ 16 64 70	//	4.7μF	50V	//	C1, 2, 11, 12		
	UH 15 92 20	//	2200μF	35V	//	C27, 28		
	GD 90 04 70	Coil, Output	1.7μH		アウトプットコイル	L1, 2		
	HV 45 34 70	Flame Proof Carbon Resistor	4.7Ω	1/4W	不燃化カーボン抵抗	R31~34, 39, 40		
	iG 07 68 00	IC	NJM4558S		I C	IC1, 2		
	iG 10 27 00	//	μPC1188H		//	IC3, 4		
	iF 00 34 50	Diode	ISS133		ダイオード	DI		
	VC 27 86 00	Relay	G5R-2232P		リレ	RY1	} Inter- changeable	
	KC 00 19 40	//	DH24D2-OTM		//	//		
	KC 00 20 00	//	JR2A-DC24V		//	//		
	LB 91 80 20	Base Pin, XH	2P	i-Type	XH ベースピン	CB1		
	LB 91 80 50	//	5P	i-Type	//	CB4		
	VD 00 46 00	Base Pin, PH	3P		PH ベースピン	CB2, 3		
	LA 00 53 00	Terminal, Push	4P		プッシュターミナル			
	BB 07 13 60	Terminal, Screw			ネジ端子			
※	NA 09 86 10	Main Circuit Board			メインシート		U,R,A,B	
※	NA 09 86 20	//			//		C	
※	NA 09 86 30	//			//		G	
※	NA 09 86 40	//			//		J	
	FG 21 11 00	Ceramic Cap.	10pF	50V	セラコン	C163, 170, 193, 194		
	FG 21 13 30	//	33pF	50V	//	C286		
	FG 21 14 70	//	47pF	50V	//	C257, 258		
	FG 21 21 00	//	100pF	50V	//	C103, 104	G	
	FG 21 22 20	//	220pF	50V	//	C241, 242, 253, 254		
	FG 21 24 70	//	470pF	50V	//	C341, 342		

※New Parts (新規部品)

AVX-100/U

Ref. No.	Part No.	Description	部 品 名	Remarks	Common Model	Markets	ランク
	FG 21 24 70	Ceramic Cap.	470pF 50V	セラコン	C121~154	G	
	FG 24 41 00	//	0.01μF 50V	//	C101,177,273,274,302		
	FU 35 08 00	FE Mica Cap.	8pF 500V	FE マイカコン	C319,320		
	FU 35 13 30	//	33pF 500V	//	C317,318		
	FZ 00 46 60	MM Cap.	0.1μF 250V	M M コ ン	C301		
	VA 76 21 00 FZ 00 58 80	Ceramic Cap.	0.1μF 25V	積層セラコン	C176,298		
	FA 15 31 20	Mylar Cap.	1200pF 50V	マイラーコン	C282		
	FA 15 31 80	//	1800pF 50V	//	C164,338		
	FA 15 32 70	//	2700pF 50V	//	C263,264		
	FA 15 33 30	//	3300pF 50V	//	C183,184		
	FA 15 34 70	//	4700pF 50V	//	C201		
	FA 15 34 70	//	4700pF 50V	//	C329,330	G	
	FA 15 35 60	//	5600pF 50V	//	C204		
	FA 15 36 80	//	6800pF 50V	//	C165,185,186,283,339		
	FA 15 41 00	//	0.01μF 50V	//	C279,280,287,288,293		
	FA 15 41 00	//	0.01μF 50V	//	C331~334	G	
	FA 15 41 10	//	0.011μF 50V	//	C115,116		
	FA 15 42 70	//	0.027μF 50V	//	C205,261,262		
	FA 15 42 20	//	0.022μF 50V	//	C231,232		
	FA 15 43 30	//	0.033μF 50V	//	C200		
	FA 15 43 90	//	0.039μF 50V	//	C113,114		
	FA 15 44 70	//	0.047μF 50V	//	C327,328		
	FA 15 51 00	//	0.1μF 50V	//	C217~220,227,228		
	UT 45 21 00	Polypropylene Film Cap.	100pF 100V	ポリプロコン	C157,158,223,224,307,308		
	UT 45 21 50	//	150pF 100V	//	C105,106	G	
	UT 45 22 20	//	220pF 100V	//	C109,110		
	UT 45 23 90	//	390pF 100V	//	C166,340		
	UT 45 24 70	//	470pF 100V	//	C187,188		
	UT 45 26 80	//	680pF 100V	//	C178		
	UT 45 31 50	//	1500pF 100V	//	C315,316		
	UJ 11 82 20	Electrolytic Cap.	220μF 6.3V	ケミコン	C111,112		
	UJ 11 83 30	//	330μF 6.3V	//	C269,270		
	UJ 11 84 70	//	470μF 6.3V	//	C291		
	UJ 12 74 70	//	47μF 10V	//	C168,179,191,192,255,256,265,266,292,309,310,336,337		
	UJ 13 72 20	//	22μF 16V	//	C117,118,155,156,161,162,175,203,207,211,212,225,226,239,240,253,260,289,290,343		
	UJ 13 81 00	//	100μF 16V	//	C119,120,180,206		
	UJ 14 71 00	//	10μF 25V	//	C168,172,174,181,182,189,190,213~216,233,234,243,244,249~252		
	UJ 14 71 00	//	10μF 25V	//	C275,276,278,281,284,285,305,306		
	UJ 15 71 00	//	10μF 35V	//	C311,312		
	UJ 16 51 00	//	0.1μF 50V	//	C198		
	UJ 16 53 30	//	0.33μF 50V	//	C199		
	UJ 16 54 70	//	0.47μF 50V	//	C229,230,247,248,271,272,277		
	UJ 16 61 00	//	1μF 50V	//	C107,108,171,173,197,202,208,209,221,222,237,238,267,268,296,297,321,322,326		
	UJ 16 62 20	//	2.2μF 50V	//	C195,210,245,246		
	VE 01 83 00	Electrolytic Cap.(Duorex)	10μF 25V	//	C159,160		
※	VF 80 71 00	Electrolytic Cap.	100μF 35V	ブラックゲートコン	C323,324		
	FM 11 61 00	//	1μF 50V	BP ケミコン	C335		
	UM 04 91 00	// (Muse)	1000μF 16V	ケミコン	C235,236		
	UJ 15 92 20	//	2200μF 35V	//	C294,295		
※	VF 80 72 00	//	470μF 63V	//	C325		
	VC 42 66 00	//	8200μF 63V	ブロックケミコン	C303,304	U,C,R,A,B,G	
※	VF 80 73 00	//	10000μF 63V	//	//	J	

※New Parts (新規部品)

AVX-100/U

Ref. No.	Part No.	Description	部 品 名	Remarks	Common Model	Markets	ランク
	VA 98 35 00	Coil	15 μ H	コ イ ル			
	VA 98 36 00	//	220 μ H	//			
	GE 90 18 60	//	47mH	固 定 コ イ ル			
	GD 90 04 70	Coil, Output	1.7 μ H	ア ウ ト プ ッ ト コ イ ル			
※	VF 07 10 00	Ceramic Resonator	3.58MHz	セ ラ ミ ッ ク 振 動 子			
※	VF 06 66 00	Resistor Array	47k Ω \times 8	抵 抗 ア レ ー			
	HL 31 52 70	Metal Oxide Film Resistor	270 Ω 1W	酸 金 抵 抗			
	HL 32 61 20	//	1.2k Ω 2W	//			J,U,R,A,B,G
	HL 32 61 00	//	1k Ω 2W	//			C
	HL 93 22 20	//	0.22 Ω 3W	//			
	HV 45 31 00	Flame Proof Carbon Resistor	1 Ω 1/4W	不 燃 化 カ ー ボ ン 抵 抗			
	HV 45 32 20	//	2.2 Ω 1/4W	//			
	HV 45 34 70	//	4.7 Ω 1/4W	//			
	HV 45 34 70	//	4.7 Ω 1/4W	//			G
	HV 45 42 20	//	22 Ω 1/4W	//			
	HV 45 51 00	//	100 Ω 1/4W	//			
	HV 45 53 30	//	330 Ω 1/4W	//			
	HV 45 55 60	//	560 Ω 1/4W	//			
	HV 45 54 70	//	470 Ω 1/4W	//			
	HV 45 61 00	//	1k Ω 1/4W	//			
	HV 45 61 80	//	1.8k Ω 1/4W	//			
	HV 45 64 70	//	4.7k Ω 1/4W	//			
	HV 45 65 60	//	5.6k Ω 1/4W	//			
	HV 45 71 00	//	10k Ω 1/4W	//			
※	VB 86 09 00	Pre-set Potentiometer	B330 Ω	半 固 定 抵 抗 器			
※	VE 37 41 00	Potentiometer	BH10k Ω	可 変 抵 抗 器			
※	VF 06 76 00	//	A20k Ω	//			
※	VF 06 80 00	//	50k Ω MN \times 2	//			
※	VF 06 78 00	//	20k Ω 特 \times 2	//			
※	VF 06 77 00	//	16k Ω 特 \times 2	//			
	i A 09 70 00	Transistor	2SA970(GR, BL)	ト ラ ン ジ ス タ ー			
	i C 22 40 00	//	2SC2240(GR, BL)	//			
	i C 28 78 20	//	2SC2878(A, B)	//			
	i A 11 45 00	//	2SA1145(O, Y)	//			
	i X 60 85 10	//	2SA1358	//			
	i X 60 85 20	//	2SC3421	//			
	i G 07 74 00	IC	NJM4556S	I C			
	XB 24 70 01	//	μ PC4570HA	//			
※	XE 38 70 01	//	μ PC1571	//			
	XD 38 60 01	//	LA2730	//			
※	XE 53 60 01	//	LC7535	//			
※	XE 81 70 01	//	YM3428	//			
	i G 08 02 00	//	NJM2043S	//			
	i G 07 68 00	//	NJM4558S	//			
	XB 46 60 01	//	AN78M15F	//			
	XB 46 70 01	//	AN79M15F	//			
	i G 00 12 40	//	TC4011BP	//			

※New Parts (新規部品)

Ref. No.	Part No.	Description	部 品 名		Remarks	Common Model	Markets	ランク
	XA 07 00 01	IC	μPD4052BC	I C	IC101~106,110,122,123			
	i G 10 59 00	//	μPD4053BC	//	IC112			
	i G 06 16 00	//	μPD4066BC	//	IC107, 108 } Inter-changeable			
	i G 08 92 00	//	LC4066	//				
	i F 00 34 50	Diode	ISS133	ダイオード	D104, 110~113, 125			
	VB 44 40 00	//	ISS287	//	D105, 106			
	VC 39 83 00	//	ISS146	//	D123, 124 } Inter-changeable			
	VC 39 84 00	//	MA185	//				
	i F 01 06 90	Zener Diode	MTZ5, 1B	ツェナーダイオード	D103, 109			
	i F 01 08 60	//	MTZ9, 1B	//	D101, 102, 107, 108			
	i H 00 11 60	Diode, Bridge	4D4B41	ダイオードブリッジ	D121		J,U,R,A,B,G	
	i H 00 10 40	//	RB402	//	//		C	
	i H 00 09 90	//	2B4B41	//	D122			
	KA 80 51 70	Switch, Push	NS4-2	プッシュスイッチ	SW101			
	VC 27 86 00	Relay	G5R-2232P	リ レ	RY101 } Inter-changeable			
	KC 00 19 40	//	DH24D2-OTM	//				
	KC 00 20 00	//	JR2A-DC24V	//				
	LB 20 22 70	Pin Jack	2P	ピンジャック	PJ110			
	LB 20 23 50	//	2P	//	PJ101			
	LB 40 10 70	//	4P	//	PJ102~104,106,107,109			
※	LB 40 10 90	//	4P	//	PJ105, 108			
※	VF 22 79 00	Head Phone Jack		ヘッドホンジャック	JK101			
	VD 00 46 00	Base Pin, PH	3P	PH ベースピン	CB101, 105			
	VD 00 45 00	//	2P	//	CB102			
	VD 00 50 00	//	7P	//	CB103, 104			
	LB 91 80 40	Base Pin, XH	4P	i-Type XH ベースピン	CB106			
※	VF 01 84 00	Terminal, Speaker	4P	スピーカーターミナル			J,U,C,R,A,B	
※	VF 82 40 00	//	4P	//			G	
	LA 00 23 40	Wrapping Terminal	5P P=7.5	i-Type ラッピング端子板				
	BB 06 62 90	Ground Washer		アースワッシャー				
※	NA 09 86 50	Micro Computer Circuit Board		マイコンシート	Black		J	
※	NA 09 86 60	//		//	Black		U, C	
※	NA 09 86 70	//		//	Black		R	
※	NA 09 86 80	//		//	Black		A, B	
※	NA 09 86 90	//		//	Black		G	
※	NA 09 87 00	//		//	Titan		J	
	FG 21 11 00	Ceramic Cap.	10pF	50V セラコン	C407, 435			
	FG 21 12 20	//	22pF	50V	//			
	FG 21 12 70	//	27pF	50V	//			
	FG 21 18 20	//	82pF	50V	//			
	FG 21 16 80	//	68pF	50V	//			

※New Parts (新規部品)

AVX-100/U

Ref. No.	Part No.	Description	部 品 名	Remarks	Common Model	Markets	ランク
	FG 21 21 00	Ceramic Cap.	100pF 50V	セラコン	C444, 446, 450, 454		
	FG 21 21 20	//	120pF 50V	//	C426, 432		
	FG 21 22 20	//	220pF 50V	//	C431		
	FG 21 24 70	//	470pF 50V	//	C430	A,B,G	
	FG 21 26 80	//	680pF 50V	//	//	J,U,C,R	
	FG 21 24 70	//	470pF 50V	//	C473,474	G	
	FG 21 26 80	//	680pF 50V	//	C427		
	FG 21 31 00	//	1000pF 50V	//	C417, 418, 471		
	FG 71 31 20	//	1200pF 50V	//	C429		
	Fi 41 41 00	//	0.01μF VA-I	//	C455 } Inter- // } changeable		
	Fi 51 41 00	//	0.01μF DNS	//			
	UT 65 24 70	//	470pF 100V	//	C408		
	VA 76 21 00	//	0.1μF 25V	積層セラコン	C401, 403, 409~411, 421, 437, 440, 466, 468, 470		
	UJ 11 84 70	Electrolytic Cap.	470μF 6.3V	ケミコン	C434		
	UJ 12 74 70	//	47μF 10V	//	C419, 423, 438, 442, 448, 452, 458, 461, 464		
	UJ 13 72 20	//	22μF 16V	//	C472		
	UJ 13 74 70	//	47μF 16V	//	C420, 422, 424, 439, 441, 447, 451, 460		
	UJ 13 82 20	//	220μF 16V	//	C469		
	UJ 14 81 00	//	100μF 25V	//	C462, 463		
	UJ 16 61 00	//	1μF 50V	//	C405, 406, 433, 436, 465		
	UJ 16 64 70	//	4.7μF 50V	//	C404, 414		
	UW 67 74 70	//	47μF 63V	//	C456		
	UJ 12 91 00	//	1000μF 10V	//	C443, 445, 449, 453		
	UJ 14 91 00	//	1000μF 25V	//	C457, 459		
	VB 17 01 00	//	4700μF 5.5V	バックアップケミコン	C467		
	FM 11 61 00	//	1μF 50V	BP ケミコン	C402		
	VB 11 50 00	Delay Line	200nS	ディレイライン	L402		
	VB 11 56 00	Coil	15μH	固定コイル	L401		
	VB 11 56 00	//	15μH	//	L404	J,U,C,R	
	VB 10 02 00	//	10μH	//	//	A,B,G	
	VE 92 52 00	//	3.3μH	//	L403		
	VB 75 91 00	Ceramic Resonator	4MHz	セラミック振動子	XL402		
	VD 98 09 00	Quartz Crystal	14.31818MHz	水晶振動子	XL401	J,U,C,R	
※	VF 06 68 00	//	17.734475MHz	//	//	A,B,G	
	XA 75 20 01	Power Transformer		電源トランス		J	
	XA 75 40 01	//		//		U,C	
	XA 75 30 01	//		//		R	
※	XE 93 80 01	//		//		A,B	
	XE 58 50 01	//		//		G	
	HL 31 32 20	Metal Oxide Film Resistor	2.2Ω 1W	酸化膜抵抗	R542	J,U,C,R	
	HL 31 31 00	//	1Ω 1W	//	//	A,B,G	
	HV 45 34 70	Flame Proof Carbon Resistor	4.7Ω 1/4W	不燃化カーボン抵抗	R401		
	HV 45 51 00	//	100Ω 1/4W	//	R487, 488, 492, 493, 500, 501, 508, 509, 543, 544		
	VE 47 84 00	Resistor Array	47kΩ × 6	抵抗アレー	R413, 534		
※	VF 06 66 00	//	47kΩ × 8	//	R537		
	VB 59 40 00	//	4.7kΩ × 8	//	R533		
※	VF 06 81 00	Potentiometer with Motor	Y60kΩ × 4	モーター付可変抵抗器	VR401		
※	VF 06 70 00	Potentiometer	B500Ω	可変抵抗器	VR403		

※New Parts (新規部品)

AVX-100/U

Ref. No.	Part No.	Description	部 品 名	Remarks	Common Model	Markets	ランク
※	VF 06 73 00	Potentiometer	1kΩ	可 変 抵 抗 器	VR402		
※	VF 06 75 00	//	4kΩ特	//	VR404		
	iA 10 15 21	Transistor	2SA1015(Y)	ト ラ ン ジ ス タ ー	Q404,409,415,417,419,421,426		
	iA 10 15 21	//	2SA1015(Y)	//	Q423	R	
	VC 61 40 00	//	2SB1274(Q,R,S)	//	Q401		
	iC 17 40 70	//	2SC1740S(S, R)	//	Q402,407,410,413,424,425,427	Inter-changeable	
	iC 26 03 10	//	2SC2603(E, F)	//	//		
	iC 33 12 00	//	2SC3312(R,S,T)	//	//		
	iC 17 40 70	//	2SC1740S(S, R)	//	Q428,429	Inter-changeable	G
	iC 26 03 10	//	2SC2603(E, F)	//	//		G
	iC 33 12 00	//	2SC3312(R,S,T)	//	//		G
	iC 05 35 40	//	2SC535(A, B, C)	//	Q403,405,406,408,411,412,414,416,418,420		
	iD 07 16 10	//	2SD716(R, O)	//	Q422	R	
	iF 00 34 50	Diode	ISS133	ダ イ オ ー ド	D401~407,419,420,422~431		
	iF 00 84 80	//	ISR35-100AT	//	D409~414,417		
	iF 01 06 90	Zener Diode	MTZ5.1B	ツェナーダイオード	D415,416		
	iF 00 64 60	//	MTZ5.6B	//	D408		
	iF 00 86 30	//	MTZ6.2A	//	D421		
	iF 00 88 60	//	MTZ12B	//	D418	R	
	iF 00 42 70	LED	SLR-55URC3H	L E D	D464,465		
	iF 00 87 30	//	SLR-34URC3H3	//	D432~441 Black		
	VE 06 70 00	//	SLR-34YC3H3	//	// Titan	J	
	iF 00 87 30	//	SLR-34URC3H3	//	D448~463,466,467		
	iF 00 87 40	//	SLR-34MC3H3	//	D442~447		
	iF 00 49 40	//	LD-101VR	//	D470	G	
※	VE 99 13 00	//	GL6P228	//	D468 Black		
※	VF 34 01 00	//	GL6H228	//	// Titan	J	
※	VF 06 83 00	//	GL6P229	//	D469 Black		
※	VF 34 02 00	//	GL6H229	//	// Titan	J	
	XE 39 20 01	IC	M54584P	I C	IC415		
	iG 11 96 00	//	M54562	//	IC416		
※	iR 38 38 00	//	TC74HC238P	//	IC414	Inter-changeable	
	iR 02 38 20	//	μPD74HC238C	//	//		
※	XE 38 80 01	//	AN7810F	//	IC412		
	iG 06 55 10	//	NJM78L05	//	IC413		
	iG 15 25 00	//	BA6229	//	IC403		
	XD 13 20 01	//	M50455-060SP	//	IC407		
※	XE 39 00 01	//	LC6568H-3734	//	IC411		
	iG 00 12 70	//	TC4066BP	//	IC410	Inter-changeable	
	iG 06 16 00	//	μPD4066BC	//	//		
	iG 08 92 00	//	LC4066	//	//		
	XD 08 40 01	//	MN4066B	//	//		
	iG 00 17 70	//	TC4051BP	//	IC404,405		
※	XA 05 30 01	//	TC4052BP	//	IC409	Inter-changeable	
	XA 07 00 01	//	μPD4052BC	//	//		
	iG 05 51 00	//	TC4053BP	//	IC408	Inter-changeable	
	iG 10 59 00	//	μPD4053BC	//	//		
	iG 12 61 00	//	MN4053B	//	//		
	iR 00 04 00	//	TC74HC04P	//	IC406	Inter-changeable	
	iR 00 04 80	//	M74HC04P	//	//		

※New Parts (新規部品)

Ref. No.	Part No.	Description	部品名	Remarks	Common Model	Markets	ランク
※	iR 03 67 00	IC	TC74HC367P	I C IC401,402 } Inter-changeable			
※	iR 03 67 80	//	M74HC367	//			
	KA 80 45 50	Switch, Push	SPUL2-2	ブッシュスイッチ SW401		J,U,C,R,A,B	
	KA 80 44 70	//	SPUL2-2	//		G	
	VA 94 53 00	Switch, Slide	JSA2220	スライドスイッチ SW402		R	
	KA 90 63 80	Switch	5MEVQ-QRB-04M	ライトタッチスイッチ SW403~437 } Inter-changeable			
	VE 32 73 00	//	KHH-MA901	タクトスイッチ //			
※	VE 98 99 00	Receptor Unit	GPIU521A	受光ユニット U401			
	VD 10 73 00	Relay	DH12D1-OM	リ レ - RY401 } inter-changeable		A,B,G	
	VE 56 89 00	//	//	//		//	
	KC 00 19 10	//	DH12D1-OM	RY401 } inter-changeable		J,U,C,R	
	VA 91 78 00	//	DC12V TV-5	//		//	
	VE 56 89 00	//	DH12D1-OM	//		//	
※	VB 18 35 00	Pin Jack	IP	ピンジャック PJ406			
※	VF 01 85 00	//	IP	// PJ404			
※	VF 01 86 00	//	IP	// PJ405			
※	VE 99 14 00	//	3P	// PJ401~403			
	LB 10 07 30	Mini Jack	S-G8036	ミニジャック JK401			
	LB 50 07 10	Connector Socket, ST	5P	STコネクタソケット JK402 TUNER			
	LB 60 83 90	//	6P	// JK403 TAPE			
	VD 00 45 00	Base Pin, PH	2P	PHベースピン CB401,403			
	VD 00 45 00	//	2P	// CB404		G	
	VD 00 46 00	//	3P	// CB405			
	VD 00 48 00	//	5P	// CB406			
	VD 00 49 00	//	6P	// CB407		J, U, C	
	VD 00 50 00	//	7P	// CB408,409			
	VD 00 51 00	//	8P	// CB410			
	VD 00 53 00	//	10P	// CB411~413			
	KB 00 04 00	Fuse	T5A 250V	ヒューズタイラッシュ F401		J	
	KB 00 25 90	//	UL ST-4 5A 250V	//		U, C, R	
	KB 00 29 80	//	T2.5A 250V	ヒューズタイムラグ //		A, B, G	
	KB 00 29 80	//	T2.5A 250V	// F403		G	
	KB 00 03 70	//	T3.5A 250V	ヒューズタイラッシュ F402		R	
	LA 00 21 10	Wrapping Terminal	2P P=5 i-Type	ラッピング端子台			
	LA 00 21 40	//	2P P=10 i-Type	//			
	LA 00 38 70	//	2P P=10 WTM-Type	//		A, B, G	
	LB 20 18 80	Pin, Fuse Holder	PC-FHI	ヒューズホルダーピン			
	LB 60 81 70	AC Outlet	3P	ACアウトレット		J, U, C, R	
	BA 09 29 70	Heat Sink	OSH-2425-SP	放熱器			
	BB 06 95 10	Ground Metal		ランド金具			
	E1 33 00 86	Binding Head Tapping Screw	3×8 FCRM3-BI	バインドBタイトネジ PACK			
※	VF 21 14 00	Damper		ダンパー			

※New Parts (新規部品)

Ref. No.	Part No.	Description	部品名	Remarks	Common Model	Markets	ランク
※	NA 09 87 30	S-Terminal Circuit Board	S端子シート				
	FG 21 05 00	Ceramic Cap.	5pF 50V	セラコン C604,606			
	FG 21 21 00	//	100pF 50V	// C609,610			
	VA 76 21 00	//	0.1μF 25V	積層セラコン C601 } Inter-changeable			
	FZ 00 58 80	//	0.1μF 25V	//			
	UJ 11 74 70	Electrolytic Cap.	47μF 6.3V	ケミコン C603			
	UJ 13 72 20	//	22μF 16V	// C605			
	UJ 13 74 70	//	47μF 16V	// C602			
	UJ 14 71 00	//	10μF 25V	// C608			
	UH 12 91 00	//	1000μF 10V	// C607			
	iA 10 15 21	Transistor	2SA1015(Y)	トランジスター Q602,604			
	iC 05 35 40	//	2SC535(A,B,C)	// Q601,603			
※	XA 05 30 01	IC	TC4052BP	I C IC601 } Inter-changeable			
	XA 07 00 01	//	μPD4052BC	//			
	iF 00 34 50	Diode	ISS133	ダイオード D601~604			
※	VG 06 64 00	DIN Jack	4P SW付き	ミニDINジャック JK602,604			
※	VF 04 00 00	//	4P	// JK601,603,605			

※New Parts (新規部品)

AVX-100/U

A

B

C

D

E

F

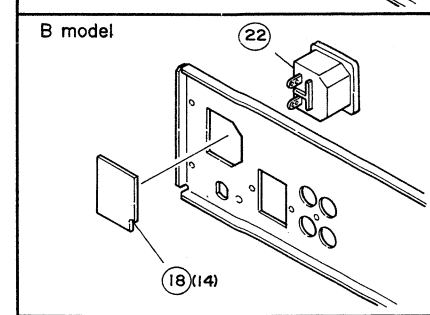
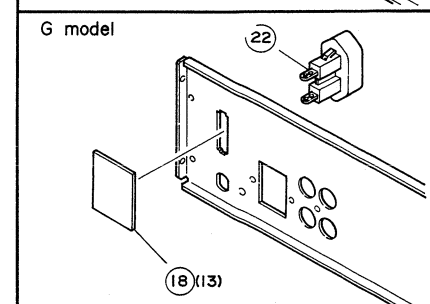
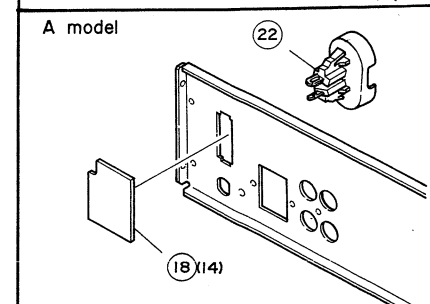
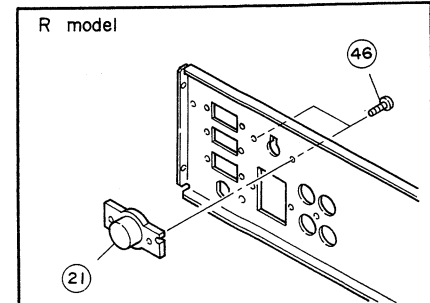
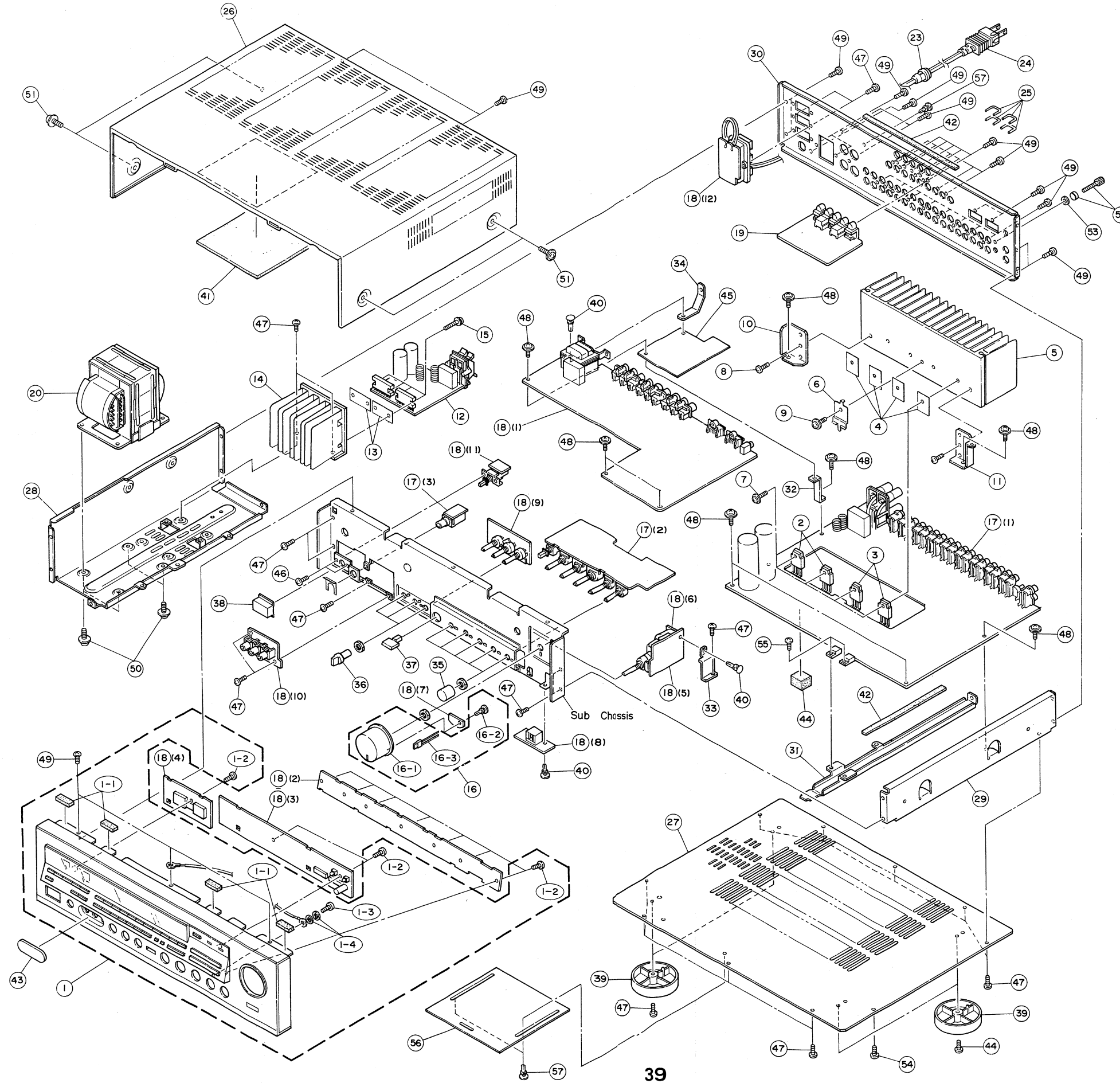
G

H

I

J

AVX-100/U
■ EXPLODED VIEW



MECHANISM PARTS

Ref. No.	Part No.	Description	部 品 名	Remarks	Common Model	Markets	ランク
※	1	VF 27 17 00	Panel Unit	パネルユニット	Black	J	
※	//	VF 27 18 00	//	//	Black	U,C	
※	//	VF 27 19 00	//	//	Black	G	
※	//	VG 32 83 00	//	//	Black	R	
※	//	VG 32 84 00	//	//	Black	A,B	
※	//	VF 27 20 00	//	//	Titan	J	
	I-1	VE 22 26 00	Cushion	8×20×t5 クッション		MX-55	
	I-2	Ei 32 60 66	Binding Head Tapping Screw	2.6×6 FCRM3-BI バインドPタイトネジ	PACK		
	I-3	EA 02 60 36	Pan Head Screw	2.6×3 ZMC2-Y ナベ小ネジ	PACK		
	I-4	EV 41 02 66	Toothed Lock Washer	φ2.6 ZMC2-Y 歯付座金A	PACK		
	2	iA 11 06 40	Transistor	2SA1106(O,P,Y) ペアトランジスター	Q147,148 } Q145,146 } pair } Q147,148 } Q145,146 } pair } Inter-changeable		
	//	iC 25 81 40	//	2SC2581(O,P,Y) //			
※	3	iX 61 10 40	//	2SB1362(P,S,Q) //			
	//	iX 61 10 50	//	2SD2053(P,S,Q) //			
	4	VB 43 50 00	Sheet	19×24 放熱シート			
※	5	VF 13 95 00	Radiator	ラジエター			
※	6	VF 54 59 00	Support, Transistor	TRサポート			
	7	EK 33 00 10	BW Head Tapping Screw	3×12 FCRM3-BI カップBタイトネジ			
	8	EZ 00 16 10	Binding Head Tapping Screw	3×8 FCRM3-BI バインドBタイトネジ			
	9	EK 33 60 10	BW Head Tapping Screw	3×8φ10 FCM3 BWヘッドタッピングネジ (2種)			
※	10	VF 54 57 00	Holder, L	ホルダーL			
※	11	VF 54 58 00	Holder, R	ホルダーR			
※	12	NA 09 87 10	Sub Amp. Circuit Board	サブアンプシート		J,U,C,R,A,B	
※	//	NA 09 87 20	//	//		G	
	13	VB 43 51 00	Sheet	18×36 放熱シート			
※	14	VE 85 68 00	Radiator	ラジエター			
	15	EK 33 00 10	BW Head Tapping Screw	3×12 FCRM3-BI カップBタイトネジ			
※	16	VF 27 27 00	VR Knob Unit	VRツマミユニット	Black		
※	//	VF 27 28 00	//	//	Titan		
	16-1	VD 53 48 00	Knob	φ42 ツマミ	Black	AVC-30	
※	//	VE 83 85 00	//	φ42 //	Titan		
	16-2	VB 66 92 00	Plastic Rivet	プラスチックリベット			
※	16-3	VF 22 77 00	LED(Red)	SLB-15VW3F L E D	Black		
	//	VF 16 59 00	LED(Yellow)	SLB-15YY //	Titan		
※	17	NA 09 86 10	Main Circuit Board	メインシート		U,R,A,B	
※	//	NA 09 86 20	//	//		C	
※	//	NA 09 86 30	//	//		G	
※	//	NA 09 86 40	//	//		J	
※	18	NA 09 86 50	Micro Computer Circuit Board	マイコンシート	Black	J	
※	//	NA 09 86 60	//	//	Black	U,C	
※	//	NA 09 86 70	//	//	Black	R	
※	//	NA 09 86 80	//	//	Black	A,B	
※	//	NA 09 86 90	//	//	Black	G	
※	//	NA 09 87 00	//	//	Titan	J	
※	19	NA 09 87 30	S-Terminal Circuit Board	S端子シート		J,U,C	
※	20	XE 58 80 01	Power Transformer	電源トランス		J	△
※	//	XE 58 90 01	//	//		U	△
※	//	XE 59 00 01	//	//		C	△
※	//	XE 59 10 01	//	//		R	△
※	//	XE 59 20 01	//	//		A,B	△
※	//	XE 59 30 01	//	//		G	△
	21	VA 93 29 00	Voltage Selector	電圧切換器		R	△

※New Parts (新規部品)

AVX-100/U

AVX-100/U

Ref. No.	Part No.	Description	部品名	Remarks	Common Model	Markets	ランク
22	VC 62 61 00	AC Outlet	2P	AC アウトレット		A	△
//	VC 62 68 00	//	2P	//		G	△
//	VC 62 70 00	//	2P	//		B	△
23	CB 62 01 90	Cord Stopper	CM-22B	コードストッパー		R,A,B,G	
//	CB 62 02 00	//	CM-22C	//		J,U,C	
24	MG 00 12 10	AC Power Cord	2m 15A 125V	電源コード		J	△
//	MG 00 22 20	//	1.98m 10A 125V	//		U,C	△
//	MG 00 23 10	//	2m 7.5A 250V	//		A	△
//	MG 00 09 20	//	2.5m 7.5A 250V	//		A	△
//	MG 00 16 30	//	2m 6A 250V	//		R	△
//	MG 00 23 20	//	2m 2.5A 250V	//		G	△
//	MG 00 16 20	//	2m 2.5A 250V	//		G	△
//	MG 00 18 60	//	2m 2.5A 250V	//		B	△
//	MG 00 23 30	//	2m 300/300V	//		B	△
25	LB 10 11 10	Short Pin Plug		ショートピンプラグ			
26	VD 94 72 00	Top Cover		トップカバー	Black	MX-55	
//	VE 78 21 00	//		//	Titan	MX-55	
※	27	VE 49 33 00	Bottom Cover	ボトムカバー			
※	28	VE 49 35 00	Frame(L)	フレーム(L)			
※	29	VE 49 36 00	Frame(R)	フレーム(R)			
※	30	VE 49 37 00	Rear Panel	リアパネル		J	
※	//	VE 49 38 00	//	//		U	
※	//	VG 19 47 00	//	//		C	
※	//	VE 49 39 00	//	//		R	
※	//	VE 49 40 00	//	//		G	
※	//	VF 06 12 00	//	//		B	
※	//	VF 06 13 00	//	//		A	
※	31	VE 49 41 00	Frame(C)	フレーム(C)			
※	32	VE 49 42 00	Holder(L)	ホルダー(L)			
※	33	VF 23 83 00	Holder,VR	VRホルダー			
※	34	VF 66 48 00	Holder,PC	PCホルダー			
※	35	BA 09 47 30	Knob	ノブ	Black	C-45	
※	//	VE 83 77 00	//	//	Titan		
36	CB 61 37 20	Knob, Switch	φ12	SW ツマミ	Black	K-1000B	
//	VD 91 79 00	//	φ12	ノブ	Titan	MX-55	
37	CB 66 07 90	Button	3×14	ボタン	Black	AX-900	
//	VD 91 88 00	//	3×14	//	Titan	MX-55	
38	CB 66 08 10	Button, Power	13×25	パワーボタン	Black	AX-900	
※	//	VF 48 71 00	Button Ass'y, Power	パワーボタン Ass'y	Titan		
※	39	VE 39 07 00	Leg	脚		U,C,R,A,B,G	
※	//	VE 39 09 00	//	//		J	
40	CB 60 56 20	Plastic Rivet		プラスチックリベット			
※	41	VF 22 26 00	Damper	ダンパー			
42	CB 61 87 90	Damper, Switch	8×156×t2	SW ダンパー			
43	VB 67 92 00	Plate, PJ		ピンジャックプレート		U,C,R,A,B,G	
※	44	VF 89 42 00	Damper, PC	ダンパー PC			
※	45	VF 89 43 00	Shield Plate	シールドプレート			
46	ED 33 00 66	Binding Head Screw	3×6 FCRM3-BI	バインド小ネジ	PACK		
47	Ei 33 00 86	Binding Head Tapping Screw	3×8 FCRM3-BI	バインドBタイトネジ	PACK		
48	EK 33 60 10	BW Head Tapping Screw	3×8×φ10 FCRM3-BI	BWヘッドタッピングネジ	(2種)		
49	EZ 00 04 60	Binding Head Tapping Screw	3×8 FCRM3-BI	ボンディングBタイトネジ			
50	EK 36 50 20	BW Head Screw	4×6×φ10FCRM3-BI	BWヘッド小ネジ			

※New Parts (新規部品)

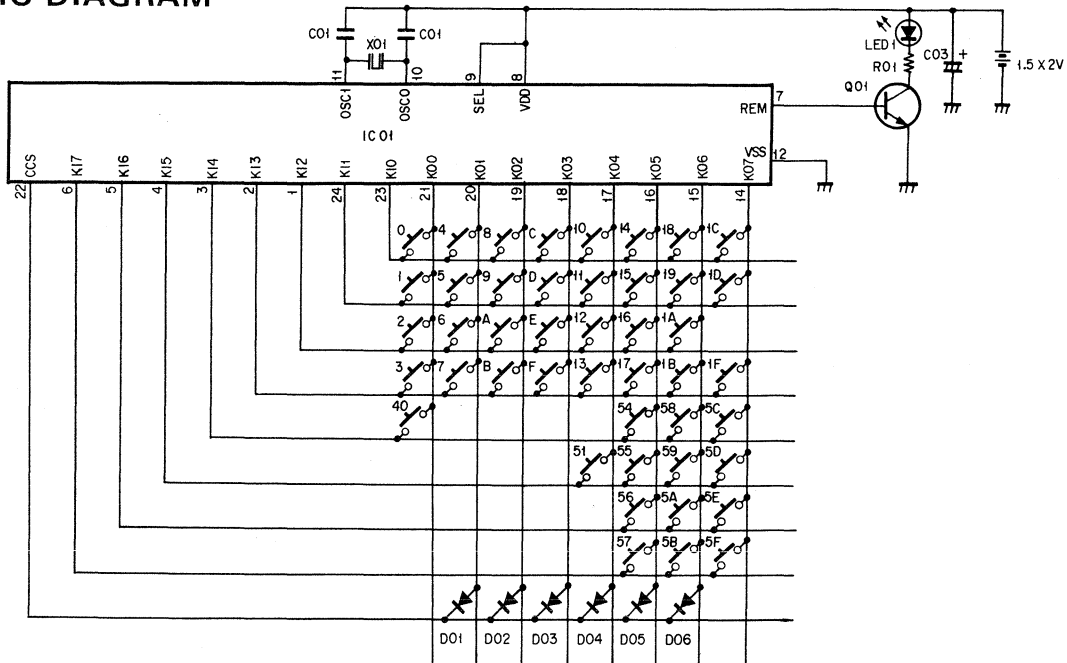
AVX-100/U

Ref. No.	Part No.	Description	部 品 名	Remarks	Common Model	Markets	ランク
51	EZ 00 13 20	Cap Tyte Screw	4×8×φ10FCRM3-BI	カップ S タイトネジ	Black		
//	EX 60 09 60	//	4×8 Grey	//	Titan	MX-55	
52	AA 62 73 10	GND Terminal Screw	3×13 FNM3-3g	GNDターミナルSTG			
53	EV 90 13 60	Sems Plain Washer	φ3.6×φ10×10.8 FNM3-3g	セ ム ス 平 座 金			
54	EI 03 00 66	Binding Head Tapping Screw	3×6 ZMC2-Y	バインド B タイトネジ	PACK		
55	ED 33 00 86	Binding Head Screw	3×8 FCRM3-BI	バインド S タイトネジ	PACK		
	CB 06 92 50	Binding Tie	BK-1	インシュロックタイ			
56	VF 96 65 00	Sheet		シート / メッセージ		J	
//	VF 96 66 00	//		//		U,C,R,A,B,G	
57	CB 06 88 80	Plastic Rivet		プラスチックリベット			
		Accessories		付 属 品			
	Mi 08 17 80	Mini Plug		ミニプラグコード			
	VB 30 83 00	ST Connector	5P 1m	ST コ ネ ク タ ー			
	VB 30 84 00	//	6P 1m	//			
	VB 30 82 00	Pin Plug Cord	1P 2m	ピンプラグコード	(Yellow)		
	Mi 08 87 90	//	2P 1m	//	(Red, white)		
※	VF 33 72 00	Remote Control Transmitter	RX-AVX100M	リモートコントロールトランスミッター		J	
※	VF 33 73 00	//	RS-AVX100	//		U,C,R,A,B,G	
		Dry Cell	AA,R6	単 三 乾 電 池			

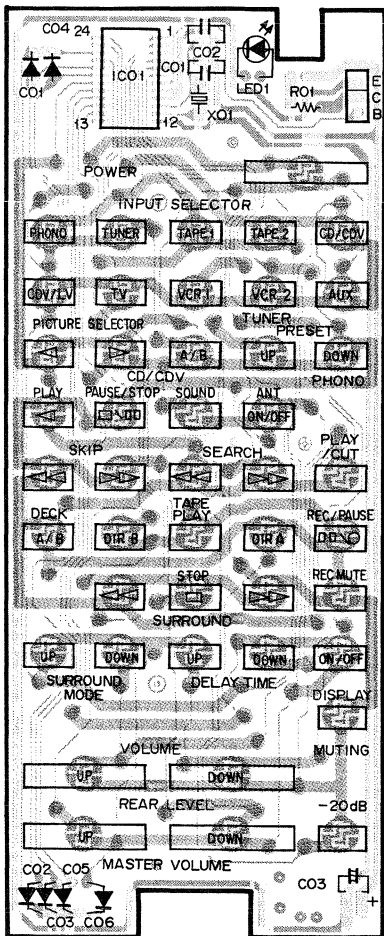
※New Parts (新規部品)

RS-AVX100 REMOTE CONTROL TRANSMITTER

● SCHEMATIC DIAGRAM



● PRINTED CIRCUIT BOARD



KEY NO.	FUNCTION	KEY NO.	FUNCTION
0	TAPE PLAY	40	TAPE DIR B
1	▲▲		
2	▼▼		
3	STOP		
4	REC/PAUSE		
5	REC MUTE		
6	DECK A/B		
7	DIR A		
8	CD/CDV PLAY		
9	PAUSE/STOP		
A	SKIP ▲▲▲		
B	SKIP ▼▼▼		
C	SERCH ▲▲		
D	SERCH ▼▼		
E	PHONO PLAY/CUT		
F	PICTURE SELECTION UP		
10	TUNER PRESET UP		
11	PRESET DOWN	51	CD/CDV SOUND
12	A/B		
13	PICTURE SELECTION DOWN		
14	INPUT SELECTION PHONO	54	INPUT SELECTOR TV
15	CD/CDV	55	CDV/LV
16	TUNER	56	VCR1
17	AUX	57	VCR2
18	TAPE 1	58	SURROUND ON/OFF
19	TAPE 2	59	MODE UP
1A	MASTER VOLUME UP	5A	MODE DOWN
1B	DOWN	5B	DELAY TIME UP
1C	MUTING -20dB	5C	DELAY TIME DOWN
1D	DISPLAY	5D	CD/CDV ANT ON/OFF
		5E	REAR LEVEL UP
1F	POWER	5F	DOWN

A

B

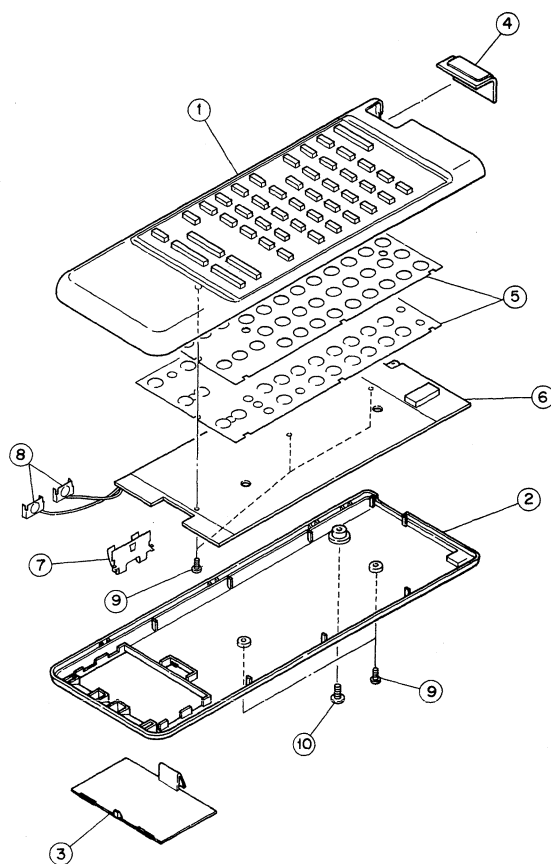
C

D

E

AVX-100/U

EXPLODED VIEW



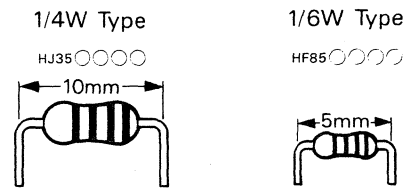
Ref. No.	Part No.	Description	部品名	Remarks/Markets	Common Model	ランク
※	VF 33 73 00	Remote Control Transmitter	RS-AVX100	リモートコントロールトランスミッター		LH-101-70
※	1 CX 60 52 70	Case(A)Ass'y		ケース (A) Ass'y		LH-101-70CFMF
	2 CX 60 44 50	Case(B)Ass'y		ケース (B) Ass'y		LH-101-70CFMF
	3 CX 60 44 60	Lid		電池 ケース		LH-101-62CD
	4 CX 60 20 10	Filter, Smoke		スモーク板		LH-101-F1
※	5 KX 60 14 00	Mainbrane Switch Unit		メインブレンスイッチユニット		FB-101-70
※	6 NX 60 28 10	P.C Board Ass'y		プリント基板 Ass'y		BP-LH101-ASSY-70
	7 LX 60 08 30	Dry Cell Terminal(A)		電池 接片 (A)		DT-LH101FNB
	8 LX 60 13 40	// (B)		// (C)		LH-101-DTCN
	9 EX 60 04 00	Bind Head Tapping Screw	2×4 ZMC2-BI	ナベタッピングネジ		
	10 Ei 32 60 66	Binding Head Tapping Screw	2.6×6 ZMC2-BI	バインドタッピングネジ	PACK	
※		P.C Board Ass'y		プリント基板 Ass'y		
	iX 61 10 70	LED	SIR-56SB3	L E D		
	HF 85 31 00	Carbon Resistor	1Ω 1/6W	カーボン抵抗	R01	
	iF 00 34 50	Diode	1SS133	ダイオード	D01~05	
	iX 61 10 80	Transistor	2SD1469	トランジスタ	Q01	
	iX 61 16 30	IC	μPD6122G	I C	IC01	
	UJ 11 74 70	Eelectrolytic Cap.	47μF 6.3V	ケミコン	CO3	
	FG 21 21 00	Ceramic Cap.	100pF 50V	セラコン	C01,02	
	QX 60 00 20	Ceramic Resonator	CSB455EB	セラミック発振器	X01	

※New Parts (新規部品)

AVX-100/U

Parts List for Carbon Resistor

Value	1/4W Type Part No.	1/6W Type Part No.	Value	1/4W Type Part No.	1/6W Type Part No.
1.0 Ω	HJ353100	HF853100	12K Ω	HJ357120	HF857120
1.8 "	HJ353180	*	15 "	HJ357150	HF857150
2.2 "	HJ353220	HF853220	18 "	HJ357180	HF857180
3.3 "	HJ353330	HF853330	22 "	HJ357220	HF857220
4.7 "	HJ353470	HF853470	27 "	HJ357270	HF857270
5.6 "	HJ353560	HF853560	33 "	HJ357330	HF857330
10 "	HJ354100	HF854100	39 "	HJ357390	HF857390
15 "	HJ354150	HF854150	47 "	HJ357470	HF857470
22 "	HJ354220	HF854220	56 "	HJ357560	HF857560
27 "	HJ354270	HF854270	68 "	HJ357680	HF857680
33 "	HJ354330	HF854330	82 "	HJ357820	HF857820
39 "	HJ354390	HF854390	91 "	HJ357910	HF857910
47 "	HJ354470	HF854470	100 "	HJ358100	HF858100
56 "	HJ354560	HF854560	120 "	HJ358120	HF858120
68 "	HJ354680	HF854680	150 "	HJ358150	HF858150
82 "	HJ354820	HF854820	180 "	HJ358180	HF858180
100 "	HJ355100	HF855100	220 "	HJ358220	HF858220
110 "	HJ355110	HF855110	270 "	HJ358270	HF858270
120 "	HJ355120	HF855120	330 "	HJ358330	HF858330
150 "	HJ355150	HF855150	390 "	HJ358390	HF858390
160 "	HJ355160	*	470 "	HJ358470	HF858470
180 "	HJ355180	HF855180	560 "	HJ358560	HF858560
220 "	HJ355220	HF855220	680 "	HJ358680	HF858680
270 "	HJ355270	HF855270	820 "	HJ358820	HF858820
330 "	HJ355330	HF855330	1.0M Ω	HJ359100	*HF859100
390 "	HJ355390	HF855390	1.2 "	HJ359120	*
470 "	HJ355470	HF855470	1.5 "	HJ359150	HF859150
510 "	*	HF855510	1.8 "	HJ359180	HF859180
560 "	HJ355560	HF855560	2.2 "	HJ359220	HF859220
680 "	HJ355680	HF855680	3.3 "	HJ359330	HF859330
820 "	HJ355820	HF855820	3.9 "	HJ359390	*
910 "	HJ355910	HF855910	4.7 "	HJ359470	HF859470
1.0K Ω	HJ356100	HF856100			
1.2 "	HJ356120	HF856120			
1.5 "	HJ356150	HF856150			
1.8 "	HJ356180	HF856180			
2.0 "	HJ356200	HF856200			
2.2 "	HJ356220	HF856220			
2.4 "	HJ356240	HF856240			
2.7 "	HJ356270	HF856270			
3.0 "	HJ356300	HF856300			
3.3 "	HJ356330	HF856330			
3.6 "	HJ356360	HF856360			
3.9 "	HJ356390	HF856390			
4.7 "	HJ356470	HF856470			
5.1 "	HJ356510	HF856510			
5.6 "	HJ356560	HF856560			
6.8 "	HJ356680	HF856680			
8.2 "	HJ356820	HF856820			
9.1 "	HJ356910	HF856910			
10 "	HJ357100	HF857100			



AVX-100/U